

# **BOKARO POWER SUPPLY CO. (P) LTD.**

**HALL NO:- M-01, OLD ADMINISTRATIVE BUILDING,  
ISPAT BHAVAN, BOKARO STEEL CITY – 827001**  
Reg. Office : Ispat Bhawan, Lodhi Road, New Delhi – 110 003  
CIN:U40300DL2001PTC112074

**TENDER NOTICE NO.- BPSCL/MM/18-19/PUR-176/NIT-857/4197**  
**Dated 30.12.2019**



## **TENDER DOCUMENT**

**SUBJECT: Procurement of Air Pre-Heater Block.**

**COST: Rs. 3,540/-**  
**(Rupees Three Thousand Five Hundred Forty Only)**

## INDEX

<b>Sl. No.</b>	<b>Subject</b>	<b>Page No.</b>
<b>1</b>	<b>Cover Page</b>	<b>1</b>
<b>2</b>	<b>Index</b>	<b>2</b>
<b>3</b>	<b>Notice Inviting Tender</b>	<b>3-4</b>
<b>4</b>	<b>Section – I Conditions &amp; Rules to be observed in submitting Tenders</b>	<b>5-7</b>
<b>5</b>	<b>Section – II General Terms and Conditions</b>	<b>8-9</b>
<b>6</b>	<b>Section – III Techno-Commercial Terms &amp; Conditions</b>	<b>10</b>
<b>7</b>	<b>Section – IV Price BID/ RA Format</b>	<b>11</b>
<b>8</b>	<b>Annexure - I QAP</b>	<b>12</b>
<b>9</b>	<b>Annexure – II Drawing</b>	<b>13-14</b>
<b>10</b>	<b>Annexure - III Self Declaration</b>	<b>15</b>
<b>11</b>	<b>Annexure - IV Format for RA Acceptance</b>	<b>16</b>
<b>12</b>	<b>Annexure - V Format for submitting Last Quoted Price</b>	<b>17</b>

# Bokaro Power Supply Co. (P) Ltd.

(A Joint Venture of SAIL & DVC)  
Hall No: - M-01, Old Administrative Building,  
Ispat Bhavan, Bokaro Steel City – 827001  
Reg. Office : Ispat Bhawan, Lodhi Road, New Delhi – 110 003  
CIN:U40300DL2001PTC112074

## NOTICE INVITING TENDER

NIT No.: BPSCL/MM/18-19/PUR-176/NIT-857/4197

Date: 30.12.2019

For and on behalf of BOKARO POWER SUPPLY COMPANY (P) LTD, sealed tenders in two parts, **Part - A** : Cost of Tender document & EMD, **Part- B**: Technical & Commercial Offer with copy of system generated acknowledgement-slip for online submission of sealed price are invited from the bidders meeting the qualification criteria stipulated in the bidding documents for supply of following items:

Item	<b>Air Pre-Heater Block</b>
Cost of Tender Paper (non refundable)	<b>Rs. 3,540.00</b> (Rupees Three Thousand Five Hundred Forty) Only including GST @ 18%.
Earnest Money (in Indian Rs.)	<b>Rs. 5,00,000.00</b> (Rupees Five Lakh) Only
Last date & time for submission of tender	<b>28.01.2020 up to 12: 00 Hours</b>
Bid Opening date & time	<b>28.01.2020 at 12:15 PM</b>

### **Qualifying Requirements: -**

- The bidder shall be either of the following:-
  - A Manufacturer of Heat Exchangers.

OR

  - An authorized representative of the Manufacturer of Heat Exchangers.  
*Proof of the same (together with certificates of authorization from Manufacturer, in case of authorized representative) must be submitted along with the bid.*
- The **bidder\*** must have valid ISO-9001 certification as on the date of bid opening.
- The **bidder\*** should have minimum average annual turnover (MAT) of **Rs. 67.51 Lakhs only**.
  - Average annual turnover shall be determined taking into consideration turnover of preceding three (03) consecutive financial years. Other income shall not be considered for arriving at annual turnover.
  - Audited annual account along with auditor's report of the bidder should be furnished in support of the same. Where audited account is not mandatory as per the law, the bidder has to submit annual financial turnover during the last three (03) consecutive years ending 31<sup>st</sup> March of the previous financial year duly certified by CA.
- The **bidder\*** should have requisite experience of manufacturing and supply "*Heat exchangers of boilers like economizer panels / super heater panels / air preheaters*" in India to any PSU / Government / Semi Government Organization or Joint Venture thereof / Company registered under Companies Act.
- The **bidder\*** shall have infrastructural facility for carrying out at least one core activity like manufacturing / Fabrication / Testing required for manufacturing of the item to be procured.
- The bidder is required to submit self-attested photocopies of documents (Orders, Completion certificate by the concerned authority etc.) in support of their eligibility and experience. In addition, bidder shall submit a self declaration in enclosed format at **Annexure – III**.
- The bidder shall furnish latest **IT return** and **GSTIN**. The bidder is also required to submit **Annexure – IV** as instructed therein.

**Note : Bidder\*** means *bidder or the company of which the bidder is authorized representative.*

### **General Terms & Conditions:**

- Offer shall be accompanied with Cost of the tender documents (non-refundable) in the form of Demand Draft / Banker's Cheque drawn from any Nationalized / Scheduled Bank except Co-Operative Bank, in favor of **Bokaro Power Supply Company (P) Ltd.**, Payable at Bokaro Steel City.

- ii) Offer shall be accompanied with Earnest Money Deposit (EMD) in the form of Demand Draft / Pay Orders / Bankers Cheque Payable at Bokaro Steel City / Bank Guarantee having validity for, *one (01) year*, from any Nationalized Bank / Scheduled Bank except Co-operative Bank drawn in favor of **Bokaro Power Supply Company (P) Ltd.** as per format available at our website: [www.bpscl.com](http://www.bpscl.com)

*In case of forfeiture of EMD by BPSCL the bidder is required to re-imburse the applicable GST to BPSCL.*

- iii) However, Micro & small enterprises (MSEs) / PSU /Govt. Undertakings and Co-operative societies will be exempted from submission of cost of tender document & Earnest Money as per government policy. For MSEs the exemption from paying cost of tender document & Earnest Money will be granted only on submission of valid copy of certificate having a valid Entrepreneurs Memorandum (EM) number / Udyog Adhaar Memorandum (whichever applicable). SSI/NSIC certificate holders should also submit Entrepreneurs Memorandum / Udyog Adhaar Memorandum (whichever applicable). However unit claiming exemption is required to submit copy of registration certificate indicating clearly the item category for which they are registered.
- iv) **Offers not accompanied with Cost of Tender Document (as per clause i) or Earnest Money Deposit (EMD) (as per clause ii) or documents for exemption (as per clause iii) will be treated as INVALID.**
- v) **Consortium bids will not be considered unless the provision for consortium is specifically mentioned in Tender Document.**
- vi) **BPSCL reserves the right to :**
- Re-tender / extend the due date of submission of offer.
  - Accept or reject any offer / all offers in full or part at any time at any stage without assigning any reasons-and without any compensation thereof to the bidders.
  - Modify the tender documents at any stage before the due date of tender.

**Note:**

- Tender documents are to be downloaded from **Website: www.bpscl.com** only.
- Bidders are requested to visit above website regularly for any addendum / corrigendum / Extension till opening of the NIT. **Any such changes shall not be published through Press advt.**

For and on behalf of  
Bokaro Power Supply Company (P) Limited

(V Agrawal)  
Chief General Manager (MM)  
Tel : 8986874118  
Email: [purchase.bpscl@gmail.com](mailto:purchase.bpscl@gmail.com)

**CONDITIONS & RULES TO BE OBSERVED IN SUBMITTING TENDERS**

**1.01 Manner of Submission of the Tender**

The tender shall be divided into 02 parts as follows:-

- a) **Part A:** This part Comprises of Cost of Tender document & EMD.
- b) **Part B:** This part Comprises of Technical and Commercial details, consent on terms & conditions of NIT/ Signed Copy of Tender Document along with copy of **SYSTEM GENERATED ACKNOWLEDGEMENT-SLIP FOR ONLINE SUBMISSION OF SEALED PRICE\*** bid etc.

Sealed Tenders *through Regd. Post/Speed Post/In-person/Courier Service* only, in an envelope containing 02 (Two) separate sealed envelopes as mentioned above with NIT No. & date of opening along with Sender's Name & Address are to be sent to the below mentioned address:

Chief General Manager (MM)  
Bokaro Power Supply Co. (P) Ltd.  
Hall No.M-01, Old ADM Building  
Ispat Bhawan, Bokaro Steel City – 827001  
Ph: 06452 240380, Tel: 8986874118

**\* PROCESS FOR ONLINE SUBMISSION OF SEALED PRICE:**

1. Online sealed Price Bid (**Landed Cost Excluding GST**) through URL : <http://www.buyjunction.in>

**The process of submission of Online Price bid is as detailed hereunder-**

Step 1: Type <http://www.buyjunction.in> in the internet explorer.

Step 2: Click on Login (present on Top right side of the Page)

Step 3: Click on **View Live Auctions and Tenders**.

Step 4: In the right side open/ global tenders link will be displayed.

Step 5: Click on the link for the above mentioned tender link present under Open tenders

Step 6: Click on new user if you are not registered in buyjunction earlier. Click on Existing user in-case you have already registered in buyjunction earlier. Existing users can login with their user id and password.

**Please note** foreign bidders are required to select their bidding currency from the drop down menu available before proceeding further (where ever applicable).

**New Users:**

Steps to get your **User ID** and **Password**

1. Click on the required tender link under “**Open Tenders**”
2. Choose your Auction currency in-case any option is coming to select currency. Click on “**New User**”
3. Fill up the “**Registration Form**” and click on “**Submit**”. All fields marked with (\*) are mandatory fields.
4. On submitting the filled-up registration form, an auto generated email will be sent to the email address you have mentioned in the registration form containing your User ID and Password.
5. Changing of password on first login is compulsory.
6. On receipt of the User ID and Password you become an **Existing User**. Now follow the steps of existing user to login to the auction site.

**Existing Users**

1. Click on the required tender link under “**Open Tender**”
2. Click on “**Existing User**”.
3. Log in with your existing user id and password for placing your bid.
4. Read through the “**Bidding Procedure**” to proceed further for bidding.

**Bidding Procedure**

After logging in with your user id and password you have to accept the “**Auction Terms**”.

**Steps to accept the “Auction terms”:**

1. Click on “**Auction Terms**”.
2. Then click on “**View term without DSC**”
3. Click on the relevant auction terms appearing under “**Term**” column.

4. Select the check box on the left-side of the relevant auction terms.
5. Click on the button besides “**Accept**”.
6. Then click on “**Submit**”.
7. A message will be displayed to you mentioning your acceptance to terms for auction.
8. It is mandatory to accept the terms of online bidding in order to proceed for submission of bid.

#### **Steps to Submit Price Bid**

1. Click on “**Bids.**”
2. Then click on “**Live Auction.**”
3. Put your login password as transaction password
4. Select the auction id and click on add to watch list.
5. Now the bidding screen is visible.

#### **6a. For Template Bidding**

1. Click on **Icon “T”** on left column of bidding screen (Which will appear separately **for each lot**).
2. A template form will open where you need to fill up the price & click on evaluate at the bottom
3. If you want to quote the evaluated price then click on “**confirm**”.
4. After clicking on the confirm button of the template window, your price will appear in the “**New Bid**” box.

#### **6b. For Non-Template Bidding**

1. Fill your Price in the “**New Bid Box**” visible on the bidding screen.
2. Select the check box at the extreme left of the bidding screen
3. Click on “**Submit**” button placed at the bottom left of the screen.
4. Bid once placed will have to be honoured.
5. You will see “**Bid Accepted**” in the “**Result**” column. This indicates that your bid is accepted and registered in the system.

#### **Steps to take a print-out of the receipt**

1. Once you have placed your bid, to download Bid Receipt, kindly click on “**Download**”.
2. Then click on “**Bid Receipt for Open Tender**”.
3. Select the auction to generate receipt.
4. Take print out of the same market-wise (Term List) / item-wise (Auction list).

**Note:** For any clarification on the bidding process please contact

Mr. Anjan Buda- 9163348263- [anjan.buda@mjunction.in](mailto:anjan.buda@mjunction.in)

Mr. Kaushik Roy \_ 9836447044\_ [Roy.kaushik@mjunction.in](mailto:Roy.kaushik@mjunction.in)

Ms. Debalina Maity \_ 8336991451\_ [Maity.Debalina@mjunction.in](mailto:Maity.Debalina@mjunction.in)

**Mr. Anshu Verma – 8873002772 - [anshu.verma@mjunction.in](mailto:anshu.verma@mjunction.in)**

**Mr. Mukesh Kumar Singh- 8873002741 – [mukesh.singh@mjunction](mailto:mukesh.singh@mjunction) } Tor Bokaro Office**

**A copy of System generated acknowledgement-slip for Online submission of sealed price bid is to be submitted along with Techno-commercial Bid.**

### **1.02 Tender Validity Period**

Validity of the offer shall be **Four (04) months** from the bid opening date. In case of extension of "Bid submission Date", the validity will be counted from the extended bid opening date.

### **1.03 General Instructions:**

- i) Tenderer shall clearly indicate that their prices are firm in all respect till execution of the order.
- ii) Specification, quantity, unit rate, freight, insurance, packaging, forwarding, taxes etc. should be mentioned separately and clearly.
- iii) Any conditional offer or offer having deviations is liable to be rejected.
- iv) Where agent commission is involved the same is to be indicated in percentage.
- v) You have to submit Tender Document bearing your signature and seal on all the pages along with Techno-commercial offer / Consent on NIT's Terms & Conditions otherwise, it will be presumed that you do not accept our terms and conditions and this may lead to rejection of your offer forfeiting your claims if any.

Bidders are advised to mention page no. on each page of documents submitted by them. BPSCL shall not bear any responsibility in case of any reported loss of documents submitted by the bidder during tender opening or thereafter.

- vi) If the intending tenderer is a Firm or Company, then they shall, in the forwarding letter, mention the number and names of all the partners & shall sign before submitting the same, unless the Power of Attorney holder has specifically been authorized in this respect.
- vii) The tender rates shall be written in English, both in words and figures. In case of any discrepancy between the words & figures of the rates quoted, the rates expressed in words shall be taken as correct. In case of discrepancy in the Unit Rate and Amount, Unit Rate will govern.

- viii) Price or any indication of price shall **NOT** be mentioned in the Techno-Commercial Bid.
- ix) The sealed tenders received will be opened on scheduled opening date and time in the office of Purchase & Contract, in presence of such bidders who might choose to witness the same
- x) In case the date of tender opening happens to be holiday, the tender will be opened on the next working day at the same time.
- xi) Communication regarding date of Opening of Price-Bid shall be displayed on the Notice board of Purchase & Contract and individual communication to the techno-commercially eligible bidders will be sent only to their e-mail address given in tender documents.
- xii) Offers from two or more bidders shall summarily be rejected if they have any of the following parameters common:
  - a) Same PAN
  - b) Same GST Number
  - c) Same Postal address
  - d) Same E-mail ID
  - e) Same Mobile number
  - f) Same person signing in more than one offer/representing more than one bidder.
- xiii) BPSCL reserves the right either to reject any/all the tenders without assigning any reason thereof.

**2.00 GENERAL TERMS AND CONDITIONS**

- 2.01 BPSCL reserves the right to ask for original documents for verification at any time during tendering, evaluation and / or the execution of the contract. In case any documents / information submitted by bidder(s) found to be false or containing any misrepresentation or having any fraudulent declaration in it then in such eventuality, EMD will be forfeited and legal action (including cancellation of contract, banning of business dealing, criminal proceedings etc.) as deemed fit may be initiated by BPSCL against the bidder.
- 2.02 If any tenderer withdraws his bid after opening of bids without giving any satisfactory and acceptable explanation thereof, the tenderer shall be disqualified for making any tender of the BPSCL for a minimum period of six months and the Earnest Money will be forfeited.
- 2.03 Tenderers shall quote their firm rates and no negotiations will be held except with the lowest tenderer, if required.
- 2.04 **Handling of Earnest Money:**
- a) Earnest Money will be refunded to the un-successful tenderer after finalization of tender and no interest will be paid upon the same. **Bidders are requested to submit their bank details for returning of EMD.**
- b) The amount of Earnest money will be refunded against submission of Security Deposit in case of successful Tenderer.
- 2.05 By accepting the order you are understood to have accepted to all responsibilities for infringement in registered design, trademark, patent rights etc.
- 2.06 **Packing :**
- a) **Responsibility for proper packing** – The Supplier shall be responsible for the materials being sufficiently and properly packed, for transport by rail/road/sea/air/ or any combination of above, so as to ensure their being free from loss or damage on arrival at the destination.
- b) **Marking of Packages, Packing, etc.** - Each package delivered under the contract shall bear the following:-
- Name of the Supplier
  - Contract/Order Number
  - Consignee's name and address
  - Description and quantity of contents
  - Gross weight, net weight,
  - Distinctive number or mark which is also to be shown, for the purpose of identification, on the Supplier's packing list.
- 2.07 **Delivery:** Timely delivery is the essence of the contract & must be completed as per the dates specified therein.
- 2.08 **Liquidated Damages:** In the event of supply not being effected within the contractual delivery schedule given in the order, liquidated damages @ ½ % of the value of delayed materials for each week of delay and part thereof, subject to a maximum of 05% of the total order value is recoverable from the supplier. The deduction of such damages shall not relieve the Supplier from the contractual obligations to complete the supply as stipulated in the Contract.
- 2.09 **Risk Purchase:** If the Supplier fails to deliver the material either in full or in part, within the prescribed delivery period, the Purchaser shall be entitled at his option to take alternate procurement action, at the risk & cost of the supplier for the unsupplied portion of the goods / items for which delivery has expired.
- 2.10 The bidder must mention applicable GST rate in their offer with compliance of following GST clauses:
- a) All bidders shall quote GST as extra. If not mentioned, same will be considered as EXTRA.
- b) Bidder would pass on the tax benefit/savings, if any, on account of output taxes to BPSCL.
- c) Bidder shall agree to do all things not limited to providing GST invoices or other documentation as per GST Law relating to the above Services, payment of taxes, timely filing of valid statutory returns for the tax period on the Goods and Service Tax Portal etc. that may be necessary to match the invoice on GSTN common portal and enable BPSCL to claim input tax credit in relation to any GST payable under this agreement or in respect of any part under this agreement.



- d) In case the Input Tax Credit of GST is denied or demand is recovered from BPSCL on account of any non-compliance by the Supplier/ Contractor, including non-payment of GST charged and recovered, the Supplier/ Contractor shall indemnify BPSCL in respect of all claims of tax, penalty and/or interest, loss, damage, costs, expenses and liability that may arise due to such non-compliance. Further, in case of any differential tax liability on account of any wrong classification/valuation etc. by the vendor, BPSCL will not be liable to reimburse any part of such differential tax, interest, penalty etc. It will be the sole responsibility of the vendor to discharge appropriate taxes, as applicable.
- e) Supplier/ Contractor shall maintain high GST compliance rating track record at any given point of time.
- 2.11 **Bank Details:** Bank details mentioning Account number, Bank name, City, Branch name and Branch code should be mentioned in the offer for NEFT / RTGS payment.
- 2.12 **Paying authority – In-charge (F&A), BPSCL.** Bill in triplicate duly receipted on the revenue stamp with a copy of TC & Packing list etc. are to be submitted to In-Charge (F&A), Bokaro Power Supply Company (P) Limited for processing of the same.
- 2.13 **Inspection:** Acceptance of material is subject to inspection. Final Inspection will be done at BPSCL Stores after receipt of material.
- 2.14 **FORCE MAJEURE:** Supplier shall not be considered in default if delay occurs due to reason beyond their control such as acts of God, Natural calamities, Civil wars, fire, Strike, Frost, Floods, Riot and Acts of unsurpassed power. Only those causes which have duration of more than seven days shall be considered in force majeure clause. In the event of delay due to such clause the delivery period will be extended for a length of time equal to the period of force majeure at the option of BPSCL. Order may be cancelled without any liability what so ever on the part of BPSCL.
- 2.15 **Banning of Business Dealings:** On arising any situation or occurrence of any event as mentioned in Clause 6 of the Guidelines on Banning of Business Dealings, the tenderer/bidder or supplier under the tendering process or contract with BPSCL, as the case may be, shall be liable for action under and in accordance with the aforementioned Guidelines. The “Guidelines on Banning of Business Dealings” shall form part of the Tender/Contract.
- 2.16 **Security Deposit:** The successful tenderer will have to deposit as security, **02%** of purchase order value subject to a minimum of **Rs. 7,50,000.00**, for satisfactory execution of the order in the form of **Bank draft / Bankers Cheque / Bank Guarantee** (as per BPSCL format available at *bpscl.com*) having validity up to guarantee period of the item to be supplied plus three (03) months of claim period. **Bank Draft / Bankers Cheque** shall be in favor of Bokaro Power Supply Company (P) Ltd. payable at Bokaro Steel City.
- The expression “satisfactory execution of the order,” shall mean fulfillment of all obligations arising out of and in connection with the purchase order. In case of default in satisfactory execution of the order the security deposit shall be forfeited. Amount of penalty and/or Liquidated Damages imposed (if any) will be recovered from Bill / Security Deposit. If the amount of Bill / Security Deposit is not sufficient, the bidder will be required to pay the balance amount to BPSCL. If the bidder doesn’t pay the balance amount, the same shall be deducted from any sum or sums which may be due or may become due to the successful tenderer from the BPSCL on any account whatsoever.
- In case of forfeiture of Security Deposit, the bidder is required to re-imburse the applicable GST to BPSCL.*
- 2.17 **RATE FINALIZATION:** BPSCL reserves the right to finalize the rate through either of the following modes:
1. Opening of Online Price (*submitted on [www.buyjunction.in](http://www.buyjunction.in)*) submitted at the time of techno-commercial bid.
  2. Through Reverse Auction to be conducted by our service provider **M/s. mjunction**.
  3. Where it is decided not to conduct the RA, the techno-commercially accepted bidders may be asked to submit decrement in percentage (%) on their price submitted at the time of techno-commercial bid. In this case – On line price bid and % decrement shall be considered together to finalize the rate.

**3.0 TECHNO-COMMERCIAL TERMS & CONDITION:****3.1 Description of Material:**

Sl. No.	ITEM DESCRIPTION	QUANTITY
1.	Cat. No. - 08500106001 Air Pre-Heater Block (Intermediate) As per drawing No. – 08500100022B	04 Nos.
2.	Cat. No. - 08500106002 Air Pre-Heater Block (Extreme) As per drawing No. – 08500100023B	12 Nos.

**3.2 Special Terms and Conditions:**

1. Material Test Certificate & Guarantee certificate shall be submitted along with material.

**3.3 The Commercial Bid should Confirm/indicate the following:**

1.	Price	To confirm 'Firm price for the duration of the Contract'.
2.	Delivery Term	FOR BPSCL Stores, BS City
3.	Packing & Forwarding Charges	Extra/Inclusive (Applicable amount to be mentioned in percentage or amount)
4.	Freight Charges	Extra/Inclusive (Applicable amount to be mentioned in percentage or amount)
5.	Transit Insurance	To be arranged and borne by Supplier
6.	Inspection	
6.a.	Third party inspection	The supplier shall arrange for <u>Stage wise inspection</u> to be carried out at their works by M/s. Lloyds Register Asia or M/s. TUV India Pvt. Ltd. or M/s. Boreau Varitas Industrial Services (I) Pvt. Ltd. as per attached QAP (Annexure - I)
6.b.	Final Inspection	Final inspection will be done at BPSCL Stores after receipt of material.
7.	Third party inspection charges	To be arranged and borne by Supplier
8.	GST Registration	To indicate GST Registration Number
9.	GST	Extra- <i>Applicable rate to be mentioned</i> HSN/ SAC- <i>to be mentioned</i>
10.	Payment Term	100% against GRN
11.	Delivery Period	Within six (06) months from the date of Purchase Order.
12.	Security Deposit	To Confirm as per relevant Clause of NIT
13.	Guarantee Clause	Twelve (12) months from the date of commissioning / use or eighteen (18) months from the date of supply whichever is earlier. For any manufacturing defect discovered during the guarantee period the defective item must be repaired / replaced at no extra cost.
14.	LD Clause	To Confirm as per relevant Clause of NIT
15.	Validity Period	To Confirm as per relevant Clause of NIT

**4.0 PRICE BID / RA FORMAT:****Special Instruction –**

1. *In the event of the L1 Bidder backing out prior to placement of order, in addition to forfeiture of EMD the bidder shall be suspended for a period of six months from the date of issue of suspension order*
2. *Breakup of quoted LC (Landed Cost) rate shall be submitted by the L-1bidder. In case of refusal of bidder to submit price break up, EMD will be forfeited and the bidder shall be suspended for a period of six months from the date of issue of suspension order.*
3. **Price Basis – Rs. per No. on LC basis excluding GST (to be quoted through <http://www.buyjunction.in>) for both item separately.**

<b>Price Break Up</b>		
<b>Sl. No.</b>		<b>RATE / Number (Rs.)</b>
1.	Basic Price (for item no. 1)	
2.	Packing & Forwarding	
3.	Freight	
4.	Transit Insurance	
5.	Any other tax or charges	
<b>LANDED COST (1+2+3+4+5)</b>		

<b>Price Break Up</b>		
<b>Sl. No.</b>		<b>RATE / Number (Rs.)</b>
1.	Basic Price (for item no. 2)	
2.	Packing & Forwarding	
3.	Freight	
4.	Transit Insurance	
5.	Any other tax or charges	
<b>LANDED COST (1+2+3+4+5)</b>		

**Note: GST Extra**

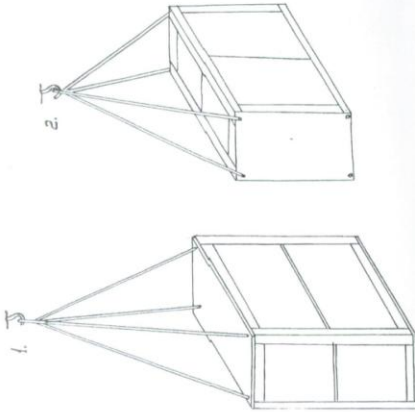
Sl. No.	Component operation	Characteristic checked	Type of check	Reference Document	Inspection Details				Type of Records	Acceptance Standards	Remarks	
					M	TPI	C	Extent of Inspection				
1.	<b>RAW Material</b>											
	<b>A. Tube</b>	1. Physical Property	Mechanical test	Mill TC	P	R	R	10%	Mill TC	BPSCL/BSL Drawing	<b>Test should be carried out from any Govt/NABL approved Lab</b>	
		2. Chemical property	Chemical Test	Mill TC	P	R	R	10%	Mill TC			
		3. Hydraulic Test	Visual		P	W	R	10%	Manufacturer Records			
<b>B. Plates</b>	1. Physical & Chemical property	Mechanical & chemical test	Mill TC	P	R	R	10%	Mill TC	BPSCL/BSL Drawing			
2.	<b>In Process Inspection</b>											
	<b>A. Tube Plates</b>	1. Dimensions	Measurement	BPSCL/BSL Drawing	P	R	R	100%	Manufacturer Records	BPSCL/BSL Drawing or Approved Drawing	<b>Where BPSCL/BSL drawings are not sufficient, relevant IS standard should be followed.</b>	
		<b>B. Weld Quality</b>	1. All fillet weld	1. DPT 2. Weld dimension	BPSCL/BSL Drawing or Approved Drawing	P	R	R	100%	Manufacturer Records		.BPSCL/BSL Drawing or Approved Drawing
			<b>C. Tube Block Assembly(Skeleton)</b>	1. Dimensions	Measurement	BPSCL/BSL Drawing or Approved Drawing	P	W	R	100%		Manufacturer Records
3.	<b>Final Inspection</b>											
	<b>A. Assembly</b>	Overall dimensional Inspection	Visual & measurement	BPSCL/BSL Drawing or Approved Drawing	P	W	R	100%	Manufacturer Records	BPSCL/BSL Drawing or Approved Drawing		

LEGENDS: M: Manufacturer TPI: Third Party Inspector C: Client  
P : Performed W: Witness R:Review.

Client Review is applicable after receiving the material at store during final inspection.

DRAWINGS

SECTION LIFTING SCHEME

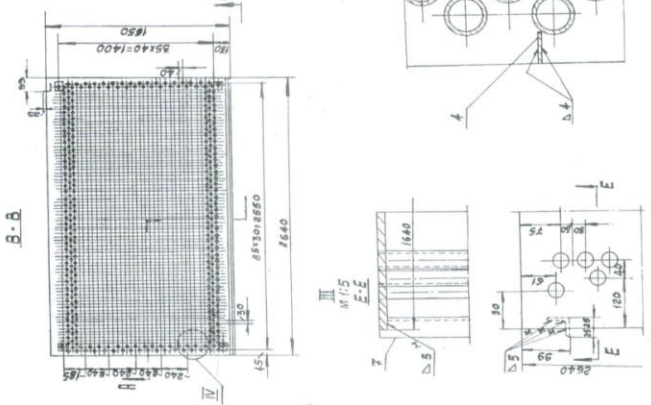
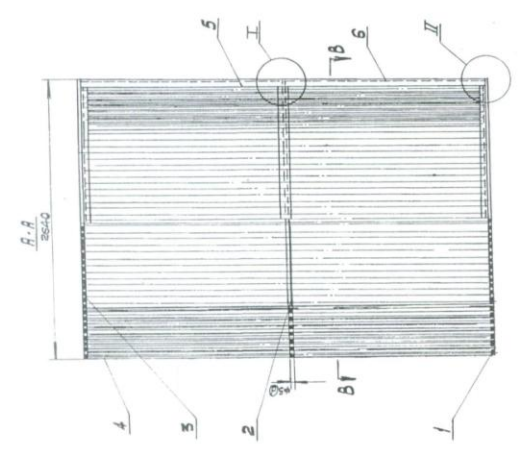
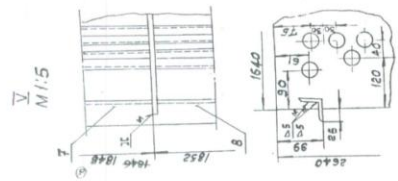
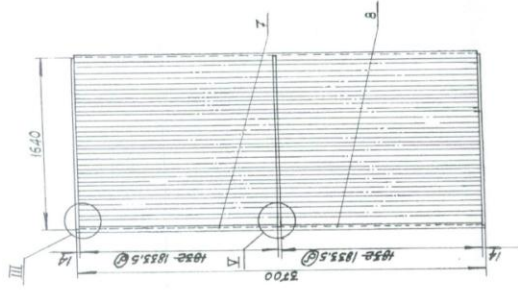
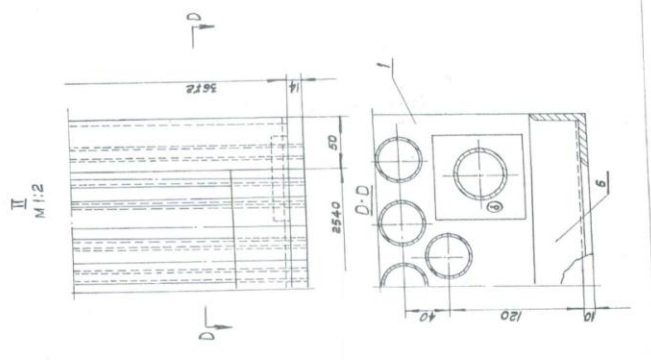
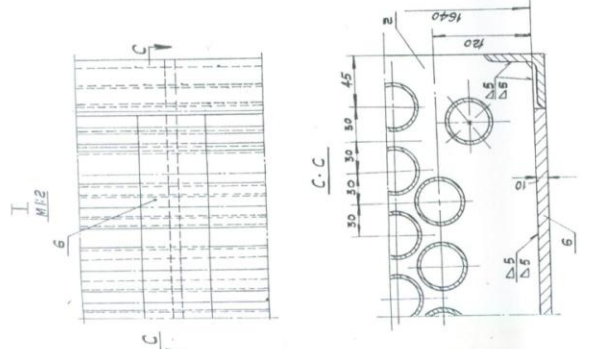


- NOTES
- SECTION TO BE MADE AFTER T.Y-36-89 APP-1
  - ATTACHMENT THE TUBES TO THE TOP AND LOWER TUBE END PLATE TO BE DONE BY ELECTRIC WELDING WITH DENSEM CONTINUOUS WELDING.
  - HEATING SURFACE OF THE SECTION IS 850M<sup>2</sup>
  - THE TUBES 025 NO. 5 MAY BE MADE FROM ERW API 5L.

Tube Material : BS 6323-5-ERN-4-1982  
*(Signature)*  
 31/11/19

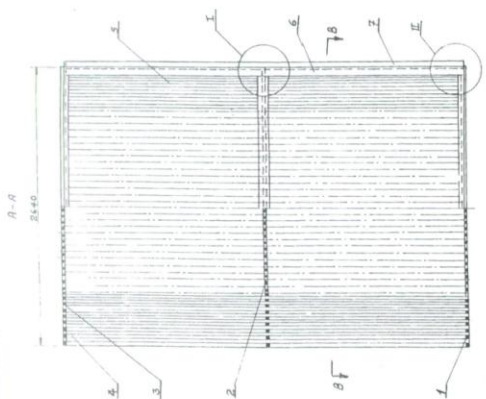
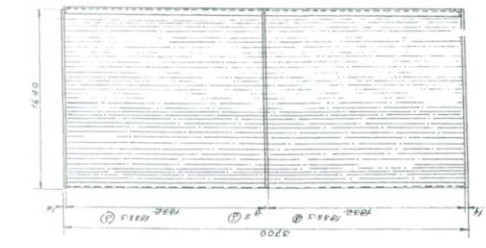
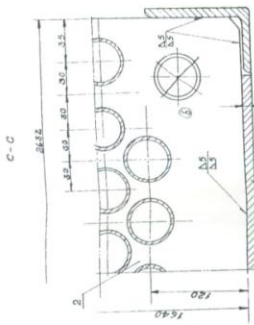
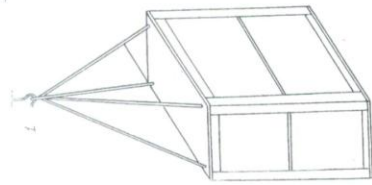
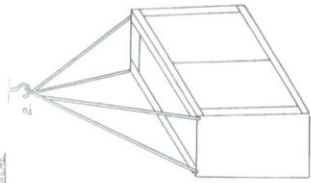
TOTAL WEIGHT OF WELDED CARBONIC METAL, 11kg.

ITEM NO.	ANGULAR MEMBER	1	7	1000	7000
1	ANGULAR MEMBER	1	7	1000	7000
2	ANGULAR MEMBER	1	7	1000	7000
3	FRAME	1	7	1000	7000
4	TUBE MADE	1	7	1000	7000
5	STEP-UP	1	7	1000	7000
6	STEP-UP	1	7	1000	7000
7	STEP-UP	1	7	1000	7000
8	STEP-UP	1	7	1000	7000
9	STEP-UP	1	7	1000	7000
10	STEP-UP	1	7	1000	7000
11	STEP-UP	1	7	1000	7000
12	STEP-UP	1	7	1000	7000
13	STEP-UP	1	7	1000	7000
14	STEP-UP	1	7	1000	7000
15	STEP-UP	1	7	1000	7000
16	STEP-UP	1	7	1000	7000
17	STEP-UP	1	7	1000	7000
18	STEP-UP	1	7	1000	7000
19	STEP-UP	1	7	1000	7000
20	STEP-UP	1	7	1000	7000
21	STEP-UP	1	7	1000	7000
22	STEP-UP	1	7	1000	7000
23	STEP-UP	1	7	1000	7000
24	STEP-UP	1	7	1000	7000
25	STEP-UP	1	7	1000	7000
26	STEP-UP	1	7	1000	7000
27	STEP-UP	1	7	1000	7000
28	STEP-UP	1	7	1000	7000
29	STEP-UP	1	7	1000	7000
30	STEP-UP	1	7	1000	7000



BSPCL/01/05/22A

SECTION DETAILS SHOWN



NOTES:-

1. SECTION TO BE MADE AFTER TRY-JS-89 AND BPA.1
2. ATTACHMENT THE TUBES TO THE TOP AND LOWER TUBE END PLATE TO BE DONE BY ELECTRO-WELDING WITH DENSE CONTINUOUS WELDS
3. HEATING SURFACE OF THE SECTION H=4800MM
4. THE TUBES ARE NO.-5 MAY BE MADE FROM HIGH PIPES ALSO.

**⊗** TUBE MATERIAL: BS 6323-5-ERNI-4-1782

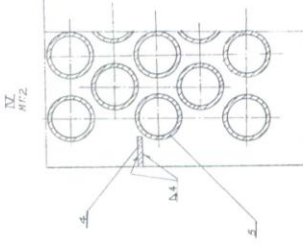
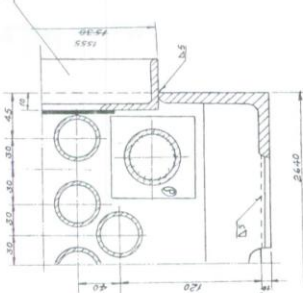
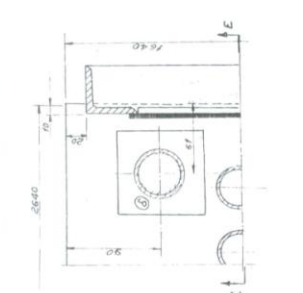
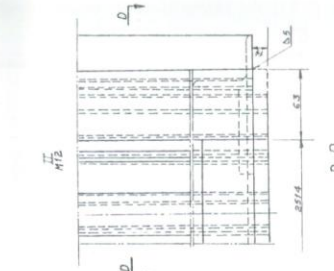
31/1/19

NO	ITEM	DESCRIPTION	QUANTITY	UNIT	REMARKS	ESTIMATE	BID	TOLERANCES	
								PERCENT	MINIMUM
005 001	K-352108	HEATER SECTION 1/2	1	ASSEMBLY	1				
005 002	K-352108	HEATER SECTION 1/2	1	ASSEMBLY	1				
005 003	K-352108	HEATER SECTION 1/2	1	ASSEMBLY	1				
005 004	K-352108	HEATER SECTION 1/2	1	ASSEMBLY	1				
005 005	K-352109	FRAME	1	ASSEMBLY	1				
005 006	K-352109	FRAME	1	ASSEMBLY	1				
005 007	K-352109	FRAME	1	ASSEMBLY	1				
005 008	K-352113	TUBES 4800MM L x 48mm OD	67	NO					
005 009	K-352113	TUBES 4800MM L x 48mm OD	67	NO					
005 010	K-352113	TUBES 4800MM L x 48mm OD	67	NO					
005 011	K-352113	TUBES 4800MM L x 48mm OD	67	NO					
005 012	K-352113	TUBES 4800MM L x 48mm OD	67	NO					
005 013	K-352113	TUBES 4800MM L x 48mm OD	67	NO					
005 014	K-352113	TUBES 4800MM L x 48mm OD	67	NO					
005 015	K-352113	TUBES 4800MM L x 48mm OD	67	NO					
005 016	K-352113	TUBES 4800MM L x 48mm OD	67	NO					
005 017	K-352113	TUBES 4800MM L x 48mm OD	67	NO					
005 018	K-352113	TUBES 4800MM L x 48mm OD	67	NO					
005 019	K-352113	TUBES 4800MM L x 48mm OD	67	NO					
005 020	K-352113	TUBES 4800MM L x 48mm OD	67	NO					
005 021	K-352113	TUBES 4800MM L x 48mm OD	67	NO					
005 022	K-352113	TUBES 4800MM L x 48mm OD	67	NO					
005 023	K-352113	TUBES 4800MM L x 48mm OD	67	NO					
005 024	K-352113	TUBES 4800MM L x 48mm OD	67	NO					
005 025	K-352113	TUBES 4800MM L x 48mm OD	67	NO					
005 026	K-352113	TUBES 4800MM L x 48mm OD	67	NO					
005 027	K-352113	TUBES 4800MM L x 48mm OD	67	NO					
005 028	K-352113	TUBES 4800MM L x 48mm OD	67	NO					
005 029	K-352113	TUBES 4800MM L x 48mm OD	67	NO					
005 030	K-352113	TUBES 4800MM L x 48mm OD	67	NO					
005 031	K-352113	TUBES 4800MM L x 48mm OD	67	NO					
005 032	K-352113	TUBES 4800MM L x 48mm OD	67	NO					
005 033	K-352113	TUBES 4800MM L x 48mm OD	67	NO					
005 034	K-352113	TUBES 4800MM L x 48mm OD	67	NO					
005 035	K-352113	TUBES 4800MM L x 48mm OD	67	NO					
005 036	K-352113	TUBES 4800MM L x 48mm OD	67	NO					
005 037	K-352113	TUBES 4800MM L x 48mm OD	67	NO					
005 038	K-352113	TUBES 4800MM L x 48mm OD	67	NO					
005 039	K-352113	TUBES 4800MM L x 48mm OD	67	NO					
005 040	K-352113	TUBES 4800MM L x 48mm OD	67	NO					
005 041	K-352113	TUBES 4800MM L x 48mm OD	67	NO					
005 042	K-352113	TUBES 4800MM L x 48mm OD	67	NO					
005 043	K-352113	TUBES 4800MM L x 48mm OD	67	NO					
005 044	K-352113	TUBES 4800MM L x 48mm OD	67	NO					
005 045	K-352113	TUBES 4800MM L x 48mm OD	67	NO					
005 046	K-352113	TUBES 4800MM L x 48mm OD	67	NO					
005 047	K-352113	TUBES 4800MM L x 48mm OD	67	NO					
005 048	K-352113	TUBES 4800MM L x 48mm OD	67	NO					
005 049	K-352113	TUBES 4800MM L x 48mm OD	67	NO					
005 050	K-352113	TUBES 4800MM L x 48mm OD	67	NO					

No	DESCRIPTION	QUANTITY	UNIT	REMARKS	ESTIMATE	BID	TOLERANCES	
							PERCENT	MINIMUM

BOKARO STEEL LIMITED	
SHOP	T.P.P. E.T.B.S.
UNIT	BOILER TYPE TP-155, D=2814 (105,000)
DESCRIPTION	BOILER TP-155, D=2814, P. 100kg/cm <sup>2</sup> , L=546"
DRAWING	DETAILS OF AIR HEATER (ARCR NO. UT-C/89594)
REVISIONS	DATE
BY	DATE
CHECKED	DATE
DRAWN	DATE
APPROVED	DATE



① CORRECTIONS 31/1/2019

**Self Declaration**

I.....son/daughter of Shri ..... Aged..... years  
resident of .....PS.....District.....State.....do hereby  
declare that:

1. I am the authorized representative and signatory of M/s.....  
(name of the firm/company).
  
2. All document(s) submitted/ information provided by M/s..... alongwith the  
Bid Document submitted against Tender No.....  
.....dated .....
  
- for.....  
.....(Name of work)  
has/have been submitted under my knowledge and are authentic , genuine and true. No part of the document(s) /  
information is false, forged or fabricated.
  
3. The above declaration in respect of genuineness of the documents/ information has been made having full  
knowledge of provisions of bidding conditions which entitle the Owner/BPSCL to initiate action in the event of  
such declaration turning out to be a false.
  
4. I undertake to produce all documents in original for verification as and when asked for the same by BPSCL.

(Name & Signature of Authorized person):.....

Designation:.....

**ANNEXURE-IV**

(To be submitted on Supplier's Letter Head)

**Format for Acceptance of General Terms & Conditions, Commercial Terms and all other Terms of the Reverse Auction**

We \_\_\_\_\_ (Supplier Name)

with PAN \_\_\_\_\_ having registered office at \_\_\_\_\_

\_\_\_\_\_ (Address)

agree to all the Commercial, General & other Terms & Conditions listed in the

NIT No. \_\_\_\_\_

dated \_\_\_\_\_

for procurement of \_\_\_\_\_ (item) through Reverse Auction.

We confirm that we are in a position to supply material as per the specification given in NIT. We agree to participate in the Reverse Auction and abide by the rules.

We nominate an executive, whose details are given below, to put the bids on our behalf.

The details of the person authorized to bid on our behalf is as follows.

Name & Designation :

E-mail ID :

Contact phone nos. :

Address :

(Signature & Seal)

Place :

Date :



**Format for submitting last quoted prices**

*(To be submitted on Company Letter Head of the Bidder)*

**(To be sent within 30 mins of conclusion of the Reverse Auction)**

To,  
mjunction services limited  
1<sup>st</sup> Floor, Tata Centre  
43, Jawaharlal Nehru Road  
Kolkata – 700 071

**Fax: 033 – 2288 3279**

**Ref: Reverse Auction for .....for Bokaro Power Supply Co. (P) Ltd. held on .....**

Reference above, we hereby confirm our Market wise last quoted prices in the Reverse Auction held on ..... for .....for Bokaro Power Supply Co. (P) Ltd., Bokaro Steel City.

<b>Market No.</b>	<b>Last Quoted Price</b>
	To be submitted by L-1 bidder

We also confirm that we will submit item wise price break-up, within two working days from the date of Reverse Auction.

Signature :

Name :

Designation :

Date :