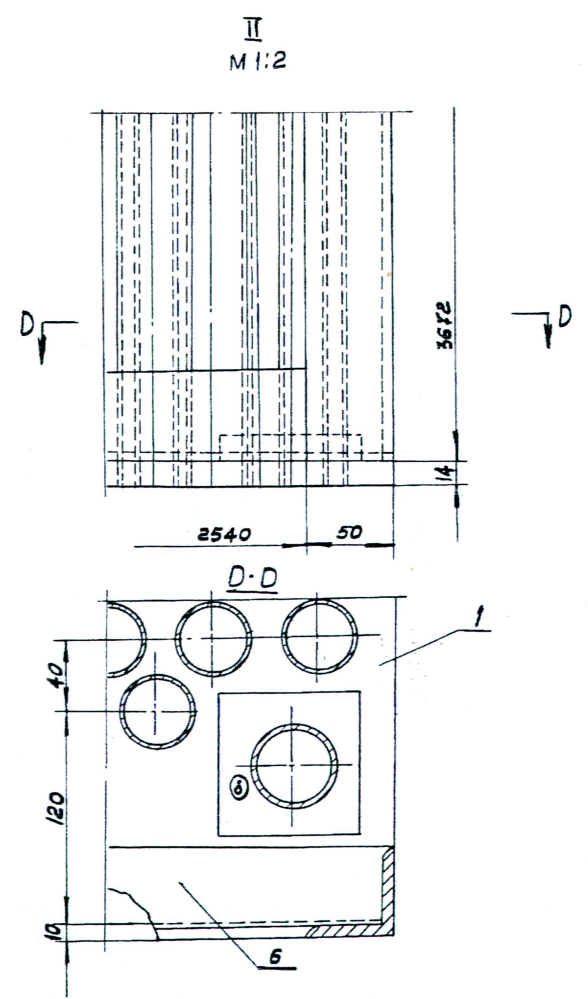
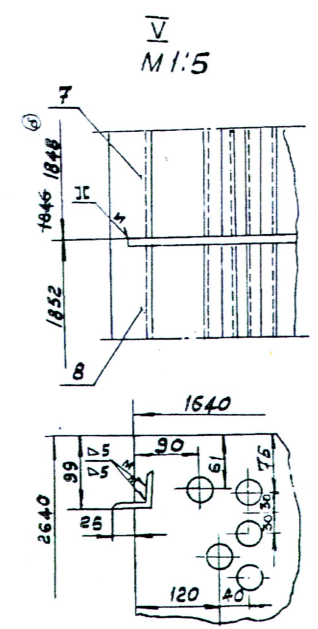
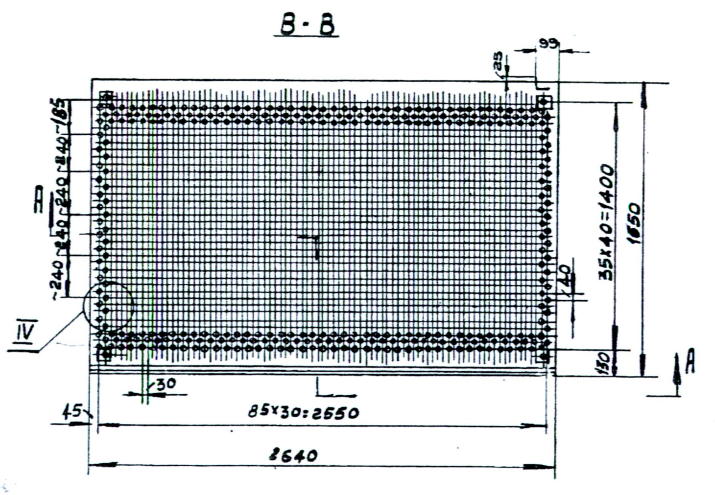


- NOTES**
- SECTION TO BE MADE AFTER TY-36-53 APP-1
 - ATTACHMENT OF THE TUBES TO THE TOP AND LOWER TUBE BED PLATE TO BE DONE BY ELECTRO-WELDING WITH DENSE CONTINUOUS WELD D₅.
 - HEATING SURFACE OF THE SECTION H=680m²
 - THE TUBES POS. NO. 5 MAY BE MADE FROM ERW PIPES ALSO.



⊗ Tube Material : BS 6323-5-ERW-4-1982
31/7/19

TOTAL WEIGHT OF WELDED CARBONIC METAL, 11 KG.

NO.	PLD. ORG. NO.	POS. NO.	DESCRIPTION	QTY.	UNIT	TOTAL WT. IN KG.	MATERIAL	REMARKS
②	K-353204	8	ANGLE, 50x50x5 L=1852	1	7	7	B ⁴ cm ³ kn 13:241-14	
②	K-353205	7	ANGLE, 50x50x5 L=1848	1	7	7	-DQ-	-DQ-
②	K-352188	085-001-00-028	6 FRAME	1	57	57	ASSLY.	⊗
②	K-322143	085-001-00-031	5 TUBE, φ40x2:1:3700	1542	6.9	10639.8	cm ³ 13:191-192-82	
②	-	-	4 STRIP, 4x30: L=1850	20	17	34	B ⁴ cm ³ kn 13:162-74	
②	K-255233	085-001-00-026	3 BED PLATE TOP	1	258	258	ASSLY.	
②	K-255232	085-001-00-032	2 BED PLATE MIDDLE	1	94	94	B ⁴ cm ³ kn 13:162-74	
②	K-255234	085-001-00-025	1 BED PLATE LOWER	1	258	258	ASSLY.	
SUPPLIER'S PLD. ORG. NO.				QTY.	UNIT	TOTAL	MATERIAL REMARKS	
DRG. NO.				NO.	WT. IN KG.	WT. IN KG.		

POS. NO.	DESCRIPTION	QTY.	UNIT	MATERIAL	DRG. NO.	SC.	DRG. NO.
	AIR HEATER SECTION (INTERMEDIATE)		ASSLY		1:20		085001-00-022A

BOKARO STEEL LIMITED

SHOP	THERMAL POWER PLANT
UNIT	DRUM-TYPE STEAM BOILER DPR NO: 85/001
DESCRIPTION OF DRAWING	BOILER TA-155, D=220 ¹ / ₄ , P=100 ¹ / ₂ kg/cm ² ; t=540 ¹ / ₂
REVISIONS	DRAWN
DATE	MAY '75
CHECKED	B. RAM
SCALE	1:20
TRACED	D. PRASAD
SUBMITTED	
APPROVED	
08500100.022	

REFERENCE DOCUMENTS
SUPPLIER'S REG. NO. K-352189 USSE
BSL-RA-4-NO. UTHE/39694