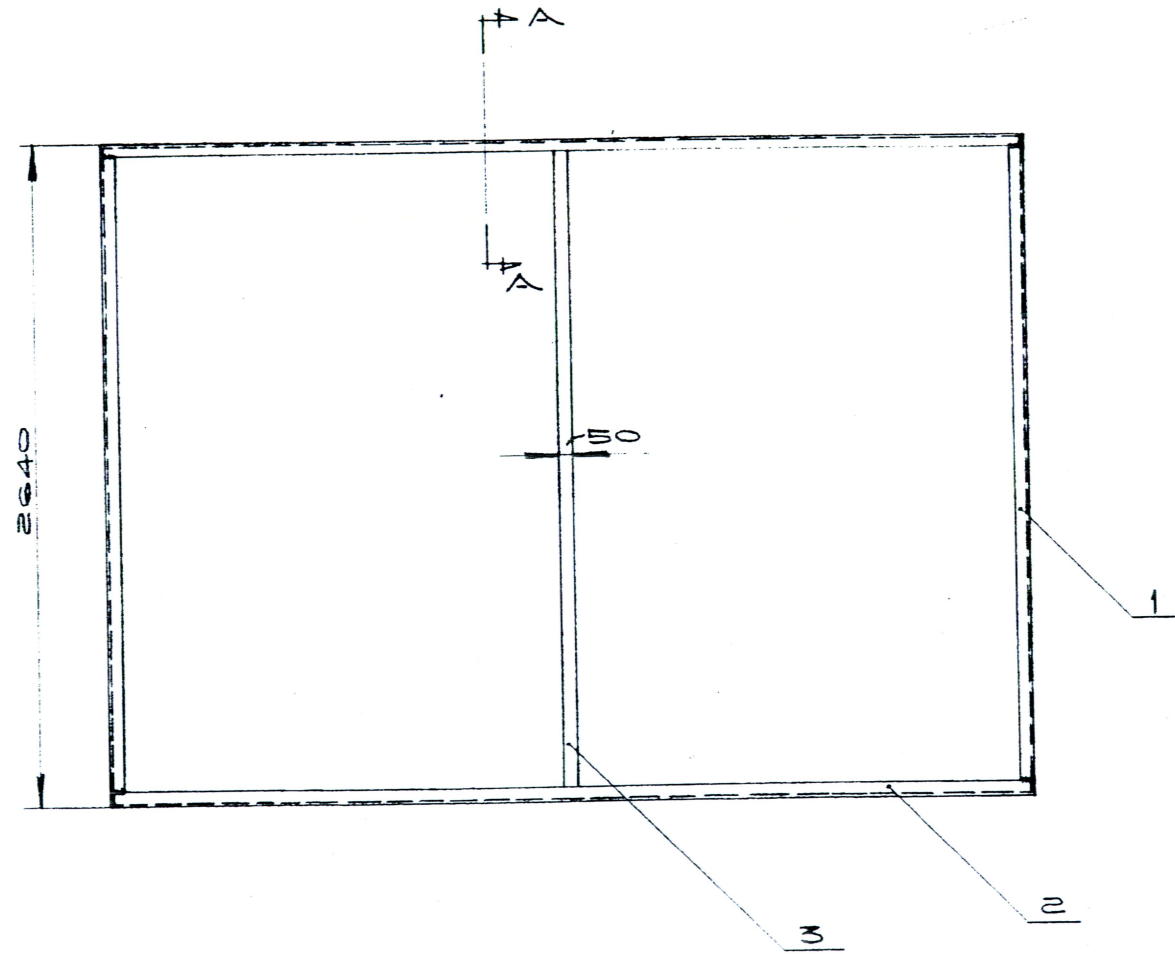
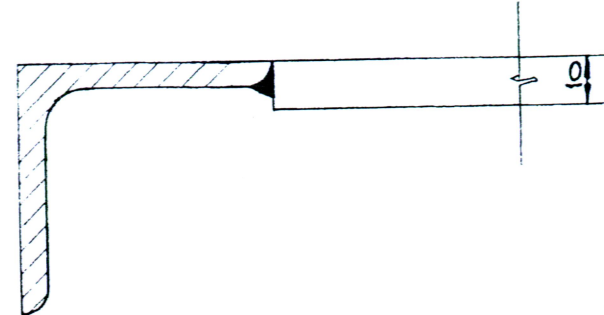


SECTION-A-A
SCALE-1:1



PLD DRC. NO.	POS. NO.	DESCRIPTION	QTY	UNIT	TOTAL WT. IN KG	MATERIAL	REMARKS
-	-	WELD METAL 8%	-	-	1.14	M.S.	
3		PLATE 2540X50X10	1	9.9	9.9	M.S.	STAIN FILING 15.2062-69 15.2062-70
2		ANGLE 50X50X5 L=3672	2	13.98	27.9	M.S.	
1		ANGLE 50X50X5 L=2640	2	9.65	19.3	M.S.	

POS. NO.	DESCRIPTION	QTY	UNIT	MATERIAL	CA. DRC. NO.	SC. DRC. NO.
6	FRAME ASSLY.	1	582 ASSLY	K.352100	120	085.001.00.028

BOKARO STEEL LIMITED																					
SHOP	TERRACE T.B.S.																				
UNIT	BOILER 35/001																				
DESCRIPTION OF DRAWING	DETAILS OF AIR HEATER SECTION EXTREME OF BOILER TH-155. D=220T/H; P=100KG/Sq. CM. t=540°C																				
REVISIONS	<table border="1"> <tr> <td>DRAWN</td> <td>D. PRASAD</td> <td>DATE</td> <td>MAY '75</td> </tr> <tr> <td>CHECKED</td> <td>B. RAM</td> <td>SCALE</td> <td>1:20</td> </tr> <tr> <td>TRACED</td> <td></td> <td></td> <td></td> </tr> <tr> <td>SUBMITT.</td> <td>I.C. SINHA.</td> <td></td> <td></td> </tr> <tr> <td>APPROV.</td> <td></td> <td></td> <td></td> </tr> </table>	DRAWN	D. PRASAD	DATE	MAY '75	CHECKED	B. RAM	SCALE	1:20	TRACED				SUBMITT.	I.C. SINHA.			APPROV.			
DRAWN	D. PRASAD	DATE	MAY '75																		
CHECKED	B. RAM	SCALE	1:20																		
TRACED																					
SUBMITT.	I.C. SINHA.																				
APPROV.																					
085.001.00.028 A																					