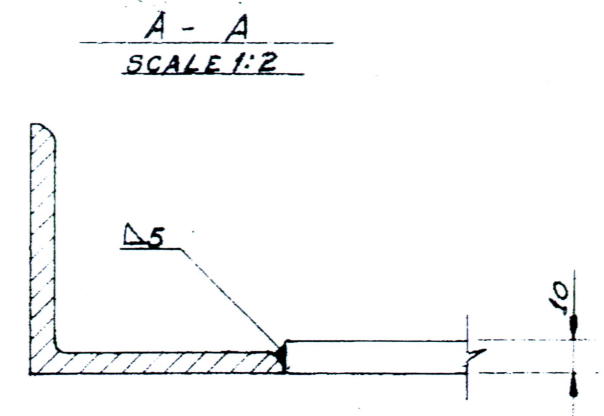
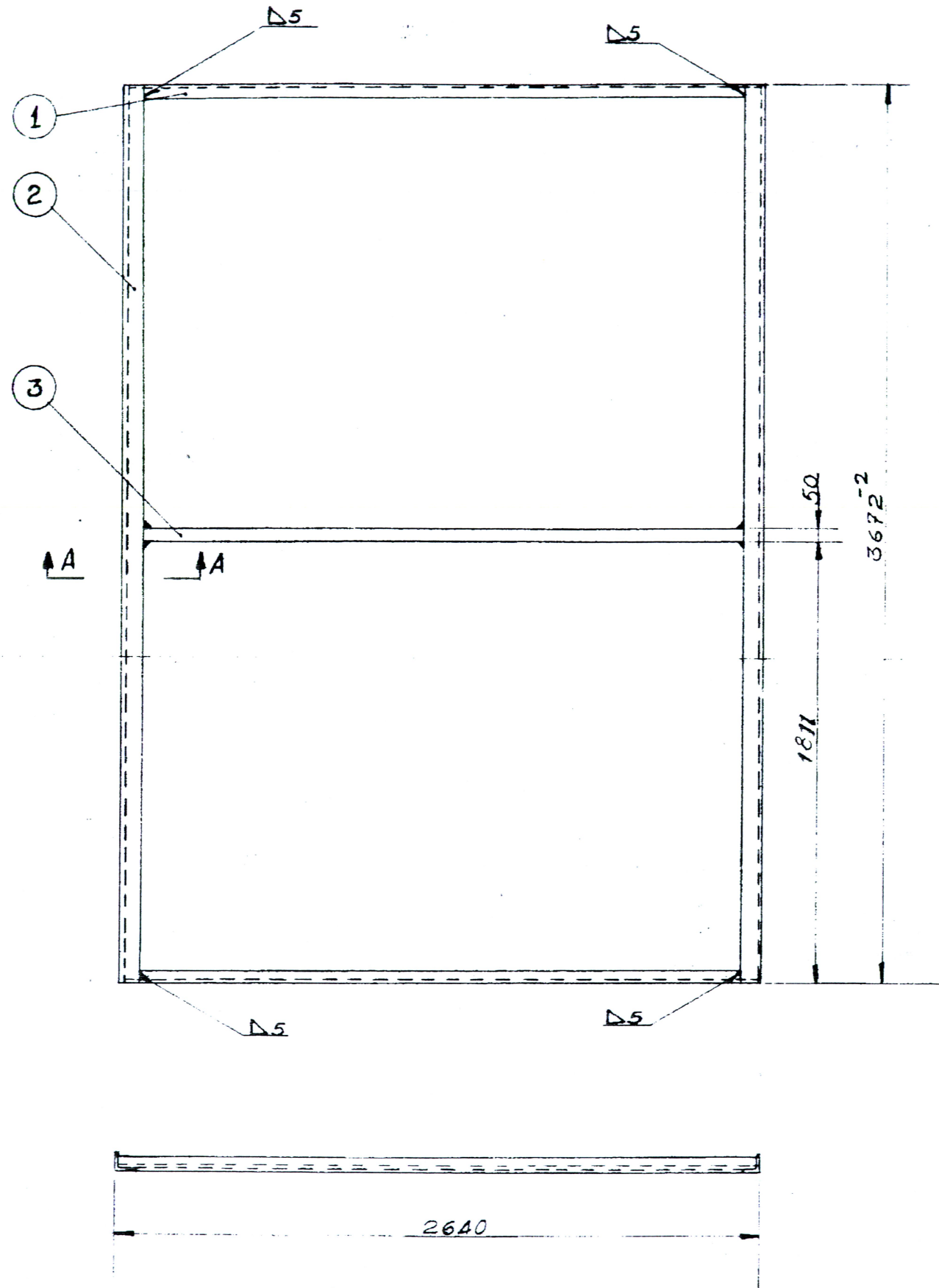


085.001.00.033



**NOTES:-**

1. ALL DIMENSIONS ARE OBTAINED BY MEASUREMENT OF THE PART AND BASED ON DRG. NO. - 085-001.00.023 (USSR DRG. NO. - K-352190 B.S.L. ARCHIVES NO. - UT-E/89595).
2. THIS DRG. IS CORRESPONDS TO USSR DRG. NO. - K-352139 WHICH IS NOT AVAILABLE.

DRG. NO.	POS.	DESCRIPTION	QTY.	UNIT	TOTAL	MATERIAL	REMARK
				WT. IN KG.			
		WELD METAL			0.94		
	3	PLATE 2490x52x10	1	8.83	8.83	St-42M 15:2062-69	
	2	ANGLE 75x75x8, l=3672	2	32.68	65.36	STRU. STEEL	
	1	ANGLE 50x50x5, l=2640	2	10.07	20.14	STRU. ST.	

6	FRAME	1	95%	ASSLY	085.001.00.023B	1:20	085.001.00.033
POS.	DESCRIPTION	QTY.	UNIT	MATERIAL	G.A. DRG.	SC.	DRG. NO.
			WT. KG.				

	<b>BOKARO STEEL LIMITED</b>						
SHOP	T. P. P. & T. B. S.						
UNIT	BOILER (085/001)						
DESCRIPTION OF DRAWING	DETAILS OF AIR HEATER SECTION EXTREME OF BOILER T1-155, D=220/H, P=100KG/CM <sup>2</sup> , t=540°C						
REVISIONS	DRAWN	S. PRASAD	14/5	Prasad	DATE	MAY-75	
	CHECKED	B. RAM		Ram	SCALE		
	TRACED						
	SUBMITTED				085.001.00.033		
	APPROVED						

0.25A1