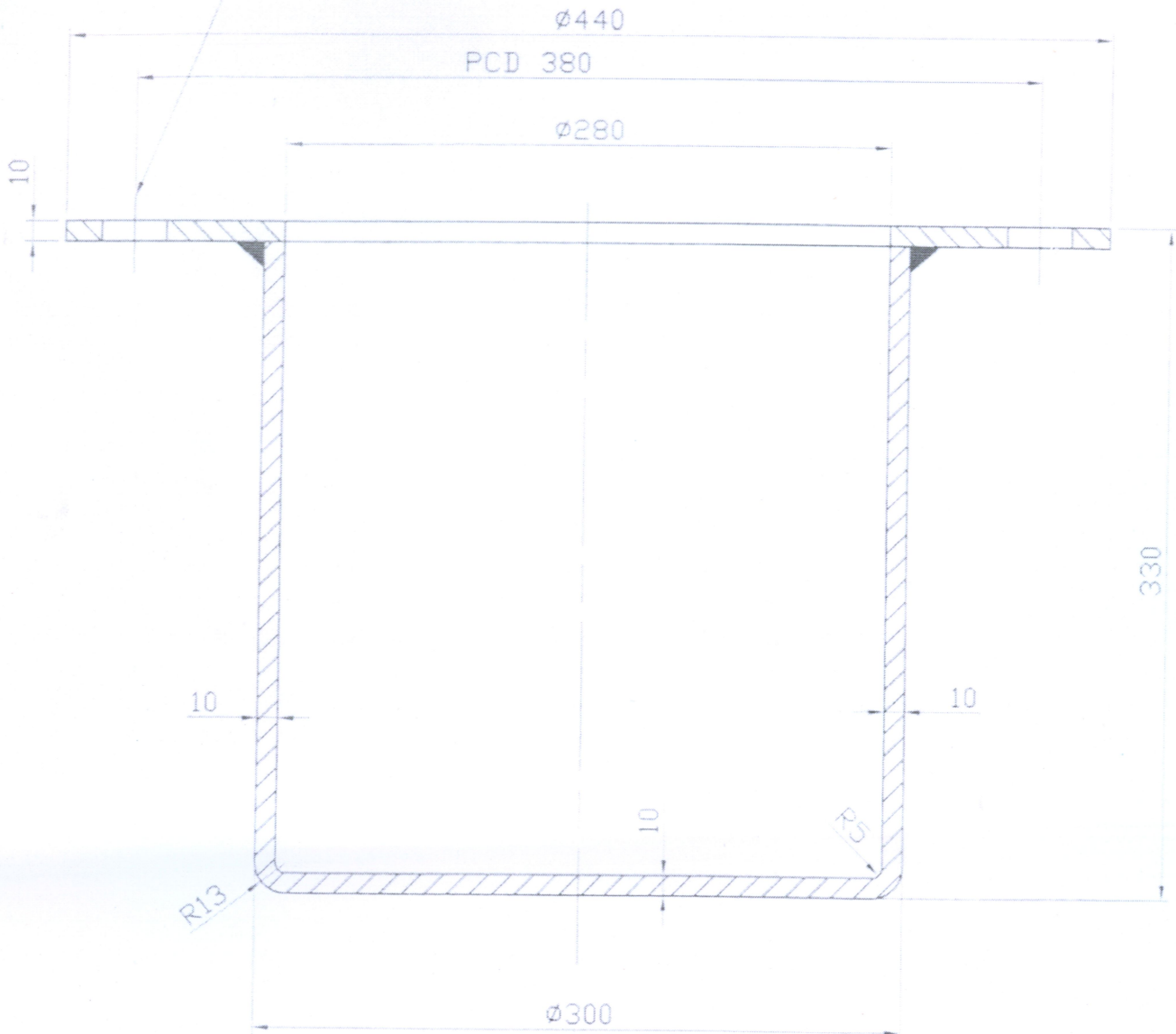


FREE TOLERANCES FOR MACHINING	RANGE	OVER	0.5	3	6	30	120	315	1000
	TOLERANCE	TO	±0.15	±0.1	±0.2	±0.3	±0.5	±0.8	±1.2

~ ALL OVER

6-HOLES Ø26 EQUI.SPACED



NOTE:-

1. ROUND OFF SHARP EDGES

1	REDUCTION GEAR BOX ASSLY, i=5.166 FOR BALL MILL	Fe410WA, IS:2062-92	8.33	34
QTY.	DESCRIPTION OF ASSY.	MATERIAL	UNIT WEIGHT	ASSY.DRG.No. POS. NO.
W.D.No. :		ALL DIMENSIONS ARE IN mm		
		REF.DRG.No. ---		
SCALE	NAME	SIGN	DATE	
NTS	DRAWN		14.1.19	
	CHECKED			
	APPROVED			
		TITLE	DRG.No.	REV.
		CASING	085003/B-1114	0