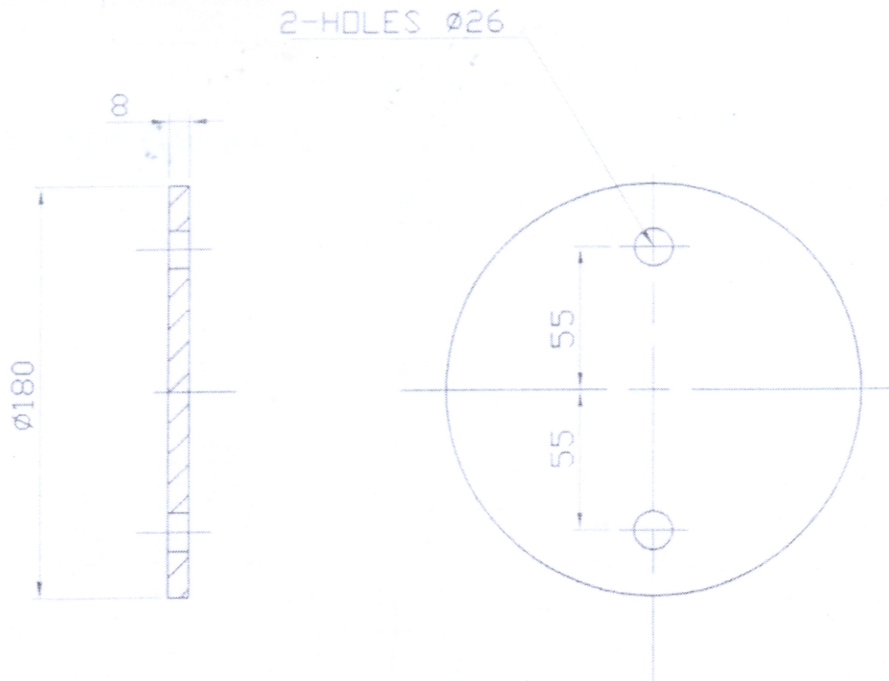


FREE TOLERANCES FOR MACHINING	RANGE	OVER	0.5	3	6	30	120	315	1000
		TO	3	6	30	120	315	1000	2000
	TOLERANCE	±0.15	±0.1	±0.2	±0.3	±0.5	±0.8	±1.2	

▽ ALL OVER



**NOTE:-**

1. ROUND OFF SHARP EDGES

1	REDUCTION GEAR BOX ASSLY, i=5.166 FOR BALL MILL	Fe410WB, IS:2062-92	1.6		39
QTY.	DESCRIPTION OF ASSY.	MATERIAL	UNIT WEIGHT	ASSY.DRG.No.	POS. NO

W.O.No. :

ALL DIMENSIONS ARE IN mm

REF.DRG.No. ---

SCALE	NAME	SIGN	DATE
NTS			12.1.19

**ओ पा भ क लि**  
**B P S C L**

	TITLE	DRG.No.	REV.
	<b>THRUST PLATE</b>	085003/B-1115	0