

BOKARO POWER SUPPLY CO. (P) LTD.

**HALL NO:- M-01, OLD ADMINISTRATIVE BUILDING,
ISPAT BHAVAN, BOKARO STEEL CITY – 827001**

**Reg. Office : Ispat Bhawan, Lodhi Road, New Delhi – 110 003
CIN:U40300DL2001PTC112074**

TENDER NOTICE NO. BPSCL/MM/21-22/PUR-074/NIT-1052/2714

Dated 07.10.2021



TENDER DOCUMENT

SUBJECT: Procurement of Babbit Bearings.

INDEX

Sl. No.	Subject	Page No.
1	Cover Page	1
2	Index	2
3	Notice Inviting Tender	3-4
4	Section – I Conditions & Rules to be observed in submitting Tenders	5 - 7
5	Section – II General Terms and Conditions	8 - 9
6	Section – III Techno-Commercial Terms & Conditions	10-11
7	Section – IV Price BID / RA Format	12
8	Annexure – I QAP & Drawing	13-15
9	Annexure – II Format for Bid Securing Declaration (In lieu of EMD)	16
10	Annexure – III Self Declaration	17
11	Annexure - IV Format for RA Acceptance	18
12	Annexure - V Format for submitting Last Quoted Price	19

Bokaro Power Supply Co. (P) Ltd.

(A Joint Venture of SAIL & DVC)

Hall No: - M-01, Old Administrative Building,

Ispat Bhavan, Bokaro Steel City – 827001

Reg. Office : Ispat Bhawan, Lodhi Road, New Delhi – 110 003

CIN:U40300DL2001PTC112074

NOTICE INVITING TENDER

NIT No.: BPSCL/MM/21-22/PUR-074/NIT-1052/2714

Date: 07.10.2021

For and on behalf of BOKARO POWER SUPPLY COMPANY (P) LTD, sealed tenders in two parts, **Part - A : EMD** and **Part-B : Technical & Commercial Offer** with copy of system generated acknowledgement-slip for online submission of sealed price are invited from the bidders meeting the qualification criteria stipulated in the bidding documents for supply of following items:

Item	Procurement of Babbit Bearings.
Earnest Money (in Indian Rs.)	Nil In lieu of EMD, the bidder shall submit either Bid Securing Declaration as per clause 1 (a) of General Terms & conditions. OR Document for Exemption as per clause 1 (b) of General Terms & conditions.
Last date & time for submission of tender	12.11.2021 up to 12: 00 Hours
Bid Opening date & time	12.11.2021 at 12:15 PM

Qualifying Requirements: -

- The bidder should have minimum average annual turnover (MAT) of **Rs. 6.01 Lakhs** only.
 - Average annual turnover shall be determined taking into consideration turnover of preceding three (03) consecutive financial years. Other income shall not be considered for arriving at annual turnover.
 - Audited annual account along with auditor's report of the bidder should be furnished in support of the same. Where audited account is not mandatory as per the law, the bidder has to submit annual financial turnover during the consecutive last three (03) years ending 31st March of the previous financial year duly certified by CA.
- The bidder shall have requisite experience of manufacturing and supplying of **similar items*** in India to thermal power plant of any PSU / Government / Semi Government Organization or joint Venture thereof / Company registered under Companies Act.
***Similar item means:** Babbit Bearing to thermal power plant.
- The bidder should have infrastructural facilities for carrying out at least one core activity like casting, forging, Machining / Load testing etc. required for manufacturing of the item under procurement.
- The bidder is required to submit self-attested photocopies of documents (Orders, GRN / completion certificate etc.) in support of their eligibility and experience. In addition, bidder shall submit an affidavit in enclosed format (Annexure-III) declaring that the documents submitted by them are genuine.
- The bidder shall furnish latest **IT return** and **GSTIN**. The bidder shall also submit acceptance to Terms & Conditions of Reverse Auction in the format attached at **Annexure – IV**.

General Terms & Conditions:

i) Earnest Money:

- In lieu of EMD, Bidders shall have the option of submitting a Bid Securing Declaration accepting that if they withdraw / modify their Bids during the period of validity without assigning any valid reason for the same or refuse to submit Performance Security / Performance Guarantee as per the relevant Clause of this tender enquiry or refuse to accept the price quoted by them in Online Price Bid / Reverse Auction within the period of validity of the same or refuse to sign the Contract Agreement upon emerging as the successful bidder, they will be suspended for a period of one year from being eligible to submit bids against tender enquiries of BPSCL. A Format of Bid Securing Declaration is provided at **Annexure - II**.
- Micro & Small Enterprises (MSEs) / PSU /Govt. Undertakings and Co-operative societies will be exempted from submission of Earnest Money as per government policy. For MSEs, the exemption from submitting Earnest Money will be granted only on submission of valid copy of Udyam Registration Certificate. SSI/NSIC certificate holders should also submit Udyam Registration Certificate. Further, unit claiming exemption is required to submit copy of Udyam registration certificate clearly indicating the item category for which they are registered.

Note: Offers not accompanied with Bid Securing Declaration (*as per clause a*) or documents for exemption (*as per clause b*) will be treated as INVALID.

- ii) Consortium bids will not be considered unless the provision for consortium is specifically mentioned in Tender Document.
- iii) If you withdraw your bid after opening of bids without giving any satisfactory and acceptable explanation thereof, you shall be debarred from participating in any tender of BPSCL for a minimum period of 01 (one) year.
- iv) You should quote your firm rates and no negotiations will be held except with the lowest bidder, if required.

v) **RATE FINALIZATION**: BPSCL reserves the right to finalize the rate through either of the following modes:

- a. Opening of Online Price (*submitted on www.buyjunction.in*) submitted at the time of techno-commercial bid.
- b. Through Reverse Auction to be conducted by our service provider **M/s. mjunction**.

Note: BPSCL may ask techno-commercially accepted bidders to submit decrement in percentage (%) on their online price submitted at the time of techno-commercial bid. On line price bid alongwith % decrement shall be considered together in case online price bid is opened.

vi) **BPSCL reserves the right to :**

- a) Re-tender / extend the due date of submission of offer.
- b) Accept or reject any offer / all offers in full or part at any time at any stage without assigning any reasons and without any compensation thereof to the bidders.
- c) Modify the tender documents at any stage before the due date of tender.

Note:

1. Tender documents are to be downloaded from **Website: www.bpscl.com** only.
2. Bidders are requested to visit above website regularly for any addendum / corrigendum / extension till opening of the NIT.

Any such changes shall not be published through Press advt.

For and on behalf of
Bokaro Power Supply Company (P) Limited

(A.K. Das)
Chief General Manager (MM)
Tel: 8986874119
Email: purchase.bpscl@gmail.com

CONDITIONS & RULES TO BE OBSERVED IN SUBMITTING TENDERS

1.01 Manner of Submission of the Tender

The tender shall be divided into 02 parts as follows:-

- a) **Part A:** This part shall comprise of Bid securing Declaration/ Exemption document.
- b) **Part B:** This part shall comprise of Technical and Commercial details, consent on terms & conditions of NIT/ signed Tender Document along with copy of **SYSTEM GENERATED ACKNOWLEDGEMENT-SLIP FOR ONLINE SUBMISSION OF SEALED PRICE*** bid etc.

Sealed Tender *through Regd. Post/Speed Post/In-person/Courier Service* only, in an envelope containing 02 (Two) separate sealed envelopes (*as mentioned above*) with NIT No. & date of opening along with Sender's Name & Address printed on it, is to be sent to the below mentioned address:

Chief General Manager (MM)
Bokaro Power Supply Co. (P) Ltd.
Hall No.M-01, Old ADM Building
Ispat Bhawan, Bokaro Steel City – 827001
Ph: 06452 240380, Mob: 8986874119

*** PROCESS FOR ONLINE SUBMISSION OF SEALED PRICE:**

1. Online sealed Price Bid (**Landed Cost per unit Excluding GST**), through URL: **<http://www.buyjunction.in>**.

The process of submission of Online Price bid is as detailed hereunder-

Step 1: Type **<http://www.buyjunction.in>** in the internet explorer.

Step 2: Click on Login (present on Top right side of the Page)

Step 3: Click on **View Live Auctions and Tenders**.

Step 4: In the right side open/ global tenders link will be displayed.

Step 5: Click on the link for the above mentioned tender link present under Open tenders

Step 6: Click on new user if you are not registered in buyjunction earlier. Click on Existing user in-case you have already registered in buyjunction earlier. Existing users can login with their user id and password.

Please note foreign bidders are required to select their bidding currency from the drop down menu available before proceeding further (where ever applicable).

New Users:

Steps to get your **User ID** and **Password**

1. Click on the required tender link under “**Open Tenders**”
2. Choose your Auction currency in-case any option is coming to select currency. Click on “**New User**”
3. Fill up the “**Registration Form**” and click on “**Submit**”. All fields marked with (*) are mandatory fields.
4. On submitting the filled-up registration form, an auto generated email will be sent to the email address you have mentioned in the registration form containing your User ID and Password.
5. Changing of password on first login is compulsory.
6. On receipt of the User ID and Password you become an **Existing User**. Now follow the steps of existing user to login to the auction site.

Existing Users

1. Click on the required tender link under “**Open Tender**”
2. Click on “**Existing User**”.
3. Log in with your existing user id and password for placing your bid.
4. Read through the “**Bidding Procedure**” to proceed further for bidding.

Bidding Procedure

After logging in with your user id and password you have to accept the “**Auction Terms**”.

Steps to accept the “Auction terms”:

1. Click on “**Auction Terms**”.
2. Then click on “**View term without DSC**”
3. Click on the relevant auction terms appearing under “**Term**” column.
4. Select the check box on the left-side of the relevant auction terms.
5. Click on the button besides “**Accept**”.
6. Then click on “**Submit**”.
7. A message will be displayed to you mentioning your acceptance to terms for auction.
8. It is mandatory to accept the terms of online bidding in order to proceed for submission of bid.

Steps to Submit Price Bid

1. Click on “**Bids.**”
2. Then click on “**Live Auction.**”
3. Put your login password as transaction password
4. Select the auction id and click on add to watch list.
5. Now the bidding screen is visible.

6a. For Template Bidding

1. Click on **Icon “T”** on left column of bidding screen (Which will appear separately **for each lot**).
2. A template form will open where you need to fill up the price & click on evaluate at the bottom
3. If you want to quote the evaluated price then click on “**confirm**”.
4. After clicking on the confirm button of the template window, your price will appear in the “**New Bid**” box.

6b. For Non-Template Bidding

1. Fill your Price in the “**New Bid Box**” visible on the bidding screen.
2. Select the check box at the extreme left of the bidding screen
3. Click on “**Submit**” button placed at the bottom left of the screen.
4. Bid once placed will have to be honoured.
5. You will see “**Bid Accepted**” in the “**Result**” column. This indicates that your bid is accepted and registered in the system.

Steps to take a print-out of the receipt

1. Once you have placed your bid, to download Bid Receipt, kindly click on “**Download**”.
2. Then click on “**Bid Receipt for Open Tender**”.
3. Select the auction to generate receipt.
4. Take print out of the same market-wise (Term List) / item-wise (Auction list).

Note: For any clarification on the bidding process please contact

Mr. Anjan Buda - 9163348263 - anjan.buda1@mjunction.in

Ms. Debalina Maity - 8336991451 - maity.debalina@mjunction.in

Ms. Bingyasini Pradhan - 9163348173 – pradhan.bingyasini@mjunction.in

Ms. Priyanka Mazumdar - mazumdar.priyanka@mjunction.in

Mr. Mukesh Kumar Singh- 8873002741 – mukesh.singh@mjunction.in - for Bokaro Office

A copy of System generated acknowledgement-slip for Online submission of sealed price bid is to be submitted along with Techno-commercial Bid.

1.02 Tender Validity Period

Validity of the offer shall be **Four (04) months** from the bid opening date. In case of extension of "Bid submission & Opening Date", the validity will be counted from the extended bid opening date.

1.03 General Instructions:

- i) You shall clearly indicate that your prices shall remain firm in all respects till execution of the order.
- ii) Specification, quantity, unit rate, freight, insurance, packaging, forwarding, taxes etc. should be mentioned separately and clearly.
- iii) Any conditional offer or offer having deviations is liable to be rejected.
- iv) Where agent commission is involved the same is to be indicated in percentage.

- v) You have to submit Tender Document bearing your signature and seal on all the pages along with Techno-commercial offer / Consent on NIT's Terms & Conditions. Otherwise, it will be presumed that you do not accept our terms and conditions and this may lead to rejection of offer forfeiting your claims if any.
- You are advised to mention page no. on each page of documents submitted by you. BPSCL shall not bear any responsibility in case of any loss of documents submitted by you during tender opening or thereafter.
- vi) If you are a Firm or Company, then you shall, in the forwarding letter, mention the number and names of all the partners & shall sign before submitting the same, unless the Power of Attorney holder has specifically been authorized in this respect.
- vii) The tender rates shall be written in English, both in words and figures. In case of any discrepancy between the words & figures of the rates quoted, the rates expressed in words shall be taken as correct. In case of discrepancy in the Unit Rate and Amount, Unit Rate will govern.
- viii) Price or any indication of price shall **NOT** be mentioned in the Techno-Commercial Bid.
- ix) The sealed tenders received will be opened on scheduled opening date and time in the office of Material Management, in presence of such bidders who might choose to witness the same
- x) In case the date of tender opening happens to be holiday, the tender will be opened on the next working day at the same time.
- xi) Communication regarding date of opening of Price-Bid to the techno-commercially eligible bidders will be sent only to their e-mail address given in tender documents.
- xii) Offers from two or more bidders shall summarily be rejected if they have any of the following parameters common:
- a) Same PAN
 - b) Same GST Number
 - c) Same Postal address
 - d) Same E-mail ID
 - e) Same Mobile number
 - f) Same person signing in more than one offer/representing more than one bidder.
- xiii) BPSCL reserves the right either to reject any/all the tenders without assigning any reason thereof.

2.00 GENERAL TERMS AND CONDITIONS

- 2.01 BPSCL reserves the right to ask for original documents for verification at any time during tendering, evaluation and / or the execution of the contract. In case any documents / information submitted by you is / are found to be false or containing any misrepresentation or having any fraudulent declaration in it, then, in such eventuality, legal action (including cancellation of contract, banning of business dealing, criminal proceedings etc.) as deemed fit may be initiated by BPSCL against you.
- 2.02 **Packing :**
- a) **Responsibility for proper packing** – You shall be responsible for the materials being sufficiently and properly packed, for transport by rail / road / sea / air / any combination of above, so as to ensure their being free from loss or damage on arrival at the destination.
- b) **Marking of Packages, Packing, etc.** - Each package delivered under the contract shall bear the following:-
- Name of the Supplier
 - Contract/Order Number
 - Consignee's name and address
 - Description and quantity of contents
 - Gross weight, net weight,
 - Distinctive number or mark which is also to be shown, for the purpose of identification, on the Supplier's packing list.
 - Catalogue Number
- 2.03 **Delivery:** Timely delivery is the essence of the contract & must be completed as per the dates specified therein.
- 2.04 **Liquidated Damages:** In the event of supply not being effected within the contractual delivery schedule given in the order, excluding the time taken by BPSCL in approval of the drawings submitted by you, liquidated damages @ ½ % of the value of delayed materials for each week of delay and part thereof, subject to a maximum of 05% of the total order value shall be recovered from you. The deduction of such damages shall not relieve you from the contractual obligations to complete the supply as stipulated in the Contract.
- 2.05 **Risk Purchase:** If you fail to deliver the material either in full or in part, within the prescribed delivery period, BPSCL shall be entitled at its option to take alternate procurement action, at your risk & cost for the unsupplied portion of the goods / items for which delivery period has expired.
- 2.06 You must mention applicable GST rate in your offer with compliance of following GST clauses:
- a) You shall have to quote GST as extra. If not mentioned, same will be considered as EXTRA.
- b) You shall have to pass on the tax benefit/savings, if any, on account of output taxes to BPSCL.
- c) You shall agree to do all things not limited to providing GST invoices or other documentation as per GST Law relating to the above Services, payment of taxes, timely filing of valid statutory returns for the tax period on the Goods and Service Tax Portal etc. that may be necessary to match the invoice on GSTN common portal and enable BPSCL to claim input tax credit in relation to any GST payable under this agreement or in respect of any part under this agreement.
- d) In case the Input Tax Credit of GST is denied or demand is recovered from BPSCL on account of any non-compliance by you, including non-payment of GST charged and recovered, you shall indemnify BPSCL in respect of all claims of tax, penalty and/or interest, loss, damage, costs, expenses and liability that may arise due to such non-compliance. Further, in case of any differential tax liability on account of any wrong classification/valuation etc. by you, BPSCL will not be liable to reimburse any part of such differential tax, interest, penalty etc. It will be your sole responsibility to discharge appropriate taxes, as applicable.
- e) You shall have to maintain high GST compliance rating track record at any given point of time.
- 2.07 **Bank Details:** Bank details mentioning Account number, Bank name, City, Branch name and Branch code should be mentioned in the offer for NEFT / RTGS payment.
- 2.08 **Paying authority – In-charge (F&A), BPSCL.** Bill in triplicate duly receipted on the revenue stamp with a copy of TC & Packing list etc. are to be submitted to In-Charge (F&A), Bokaro Power Supply Company (P) Limited for processing of the same.

- 2.09 **Inspection:** Acceptance of material is subject to inspection. Final Inspection will be done at BPSCL Stores after receipt of material.
- 2.10 **FORCE MAJEURE:** You shall not be considered in default if delay occurs due to reason beyond your control such as acts of God, natural calamities, civil wars, fire, strike, frost, floods, riot and acts of unsurpassed power. Only those causes which have duration of more than seven days shall be considered in force majeure clause. In the event of delay due to such clause the delivery period will be extended for a length of time equal to the period of force majeure at the option of BPSCL. Order may be cancelled without any liability what so ever on the part of BPSCL.
- 2.11 **Banning of Business Dealings:** On arising of any situation or occurrence of any event as mentioned in Clause 6 of the Guidelines on Banning of Business Dealings, you shall be liable for action under and in accordance with the aforementioned Guidelines. The “Guidelines on Banning of Business Dealings” shall form part of the Tender/Contract and can be viewed on our website **www.bpscl.com**.
- 2.12 **Security Deposit:** In case Purchase order is placed upon you, you shall have to deposit Security Deposit at the rates mentioned below for satisfactory execution of the order:

Sl. No.	Purchase order value (Excluding GST)	Amount of Security Deposit
i.	Up to Rs. 100 Lakh	03% of Purchase order value.
ii.	Over Rs. 100 Lakhs to Rs. 500 Lakhs	02% of P.O. value, subject to minimum of Rs. 3,00,000.00.

The Security Deposit shall be in the form of **Bank draft / Bankers Cheque / Bank Guarantee** (as per BPSCL format available at **bpscl.com**) having validity up to guarantee period of the item to be supplied plus three (03) months of claim period. **Bank Draft / Bankers Cheque** shall be in favor of Bokaro Power Supply Company (P) Ltd. payable at Bokaro Steel City.

The expression “satisfactory execution of the order,” shall mean fulfillment of all obligations arising out of and in connection with the purchase order. In case of default in satisfactory execution of the order the security deposit shall be forfeited. Amount of penalty and/or Liquidated Damages imposed (if any) will be recovered from Bill / Security Deposit. If the amount of Bill / Security Deposit is not sufficient, you shall be required to pay the balance amount to BPSCL. If you do not pay the balance amount, the same shall be deducted from any sum or sums which may be due or may become due to you from BPSCL on any account whatsoever.

In case of forfeiture of Security Deposit, you shall be required to reimburse the applicable GST to BPSCL.

3.0 TECHNO-COMMERCIAL TERMS & CONDITION:**3.1 Description of Material:**

Sl. No.	ITEM DESCRIPTION	QUANTITY
1.	Cat No.-16700123032 Babbit Bearing Bore Dia : $\Phi 124.50 \pm 0.1$ mm Length/width : 110 mm As per Drawing No. : 167001(N)00019 & 20	18 Number
2.	Cat No.-16700123031 Babbit Bearing Bore Dia : $\Phi 122.00 \pm 0.1$ mm Length/width : 111 mm As per Drawing No. : 167001(N)00019 & 20	06 Number

3.2 Special Terms and Conditions:

1. Material Specification & mode of Babbiting : As per the attached drawing.
2. Bonding between base metal and Babbit Metal shall be ultrasonically tested. Acceptance Level Class B Gr. B of ISO 4386/1. The relevant test certificate shall be submitted along with the supply of items.
3. Bearing shall be DP tested. Acceptance level-Class B of ISO 4386/3. The relevant test certificate shall be submitted along with the supply of items.

3.3 The Commercial Bid should confirm / indicate the following:

1.	Price	To confirm 'Firm price for the duration of the Contract'.
2.	Delivery Term	FOR BPSCL Stores, B. S. City.
3.	Packing & Forwarding Charges	Extra/Inclusive (Applicable amount to be mentioned in percentage or amount)
4.	Freight Charges	Extra/Inclusive (Applicable amount to be mentioned in percentage or amount)
5.	Transit Insurance	To be arranged and borne by Supplier
6.	GST Registration	To indicate GST Registration Number
7.	GST	Extra- Applicable rate to be mentioned HSN/ SAC- to be mentioned
8.	Payment Term	100% against GRN
9.	Delivery Period	Within six (06) months of QAP & Drawing approval.
10.	Guarantee Clause	A guarantee for a period of twelve (12) months from the date of commissioning / use or eighteen (18) months from the date of supply, whichever is earlier. In case of any manufacturing defects discovered within the guarantee period of normal operation, the same are to be rectified or replaced by the bidder at no extra cost.
11.	Inspection	a. Stage wise inspection shall be done by M/s Lloyds Register Asia / M/s Bureau Veritas Industrial Services India Pvt. Ltd., as per attached QAP & Drawings. You will have to arrange for this stage wise inspection and cost of inspection shall be borne by party. b. Final inspection will be done at BPSCL stores after receipt of material.
12.	Security Deposit	To confirm as per relevant Clause of NIT
13.	LD Clause	To confirm as per relevant Clause of NIT
14.	Risk Purchase Clause	To confirm as per relevant Clause of NIT
15.	Validity Period	To confirm as per relevant Clause of NIT

4.0 PRICE BID / RA FORMAT:**Special Instruction** –

1. *In the event of the L1 Bidder backing out prior to placement of order, EMD will be forfeited and L1 bidder shall be suspended for a period of one (01) year from the date of issue of suspension order*
2. *Breakup of quoted LC (**Landed Cost**) shall be submitted by the L1 bidder. In case of refusal of L1 bidder to submit price break up, EMD will be forfeited and L1 bidder shall be suspended for a period of one (01) year from the date of issue of suspension order.*
3. **Price Basis – Rs. per No. on Landed Cost (LC) basis excluding GST [for each item separately].**

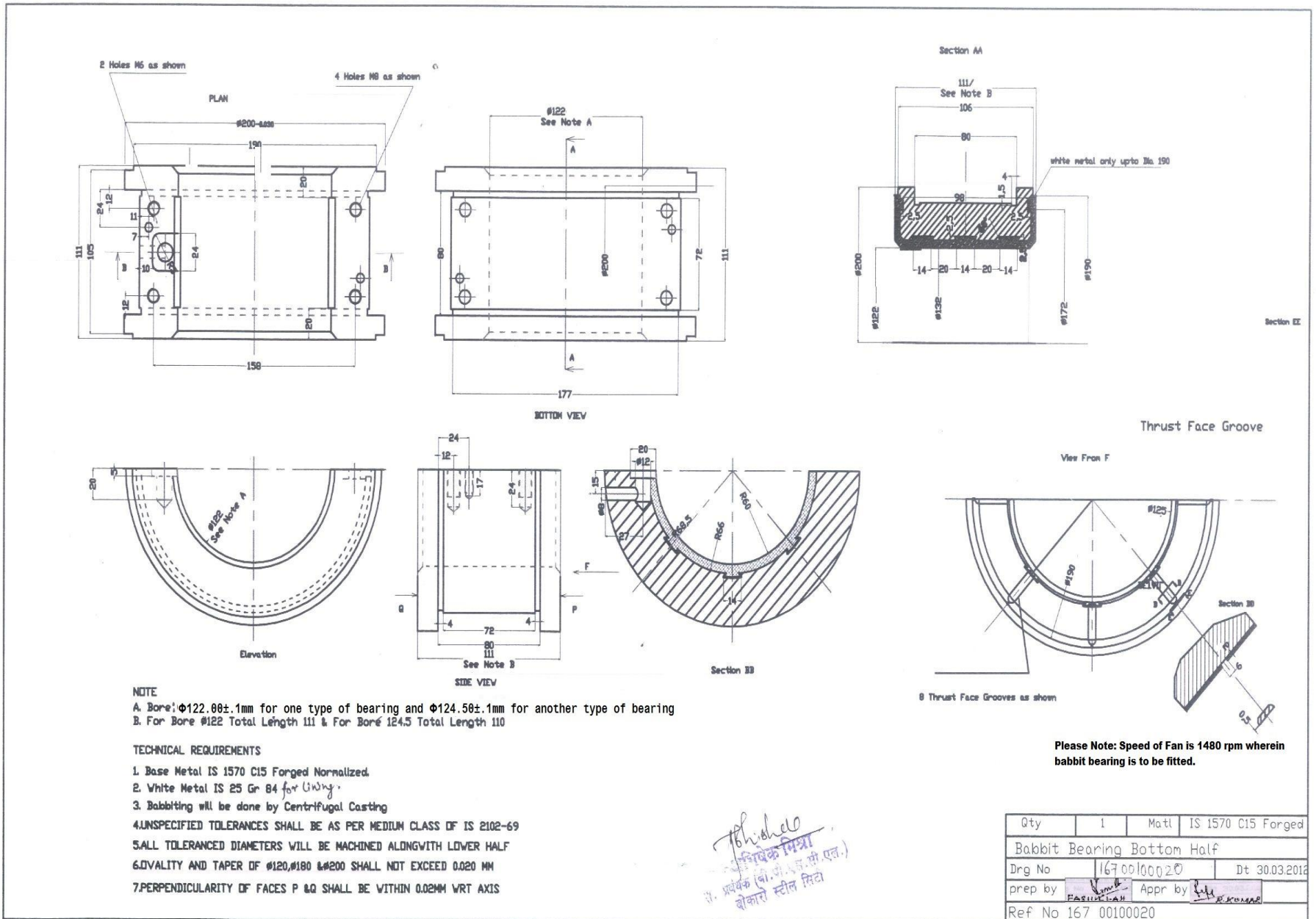
Price Break Up		
Sl. No.		Amount per No. (Rs.)
1.	Basic Price	
2.	Packing & Forwarding	
3.	Freight	
4.	Transit Insurance	
5.	Any other tax or charges	
LANDED COST (1+2+3+4+5)		

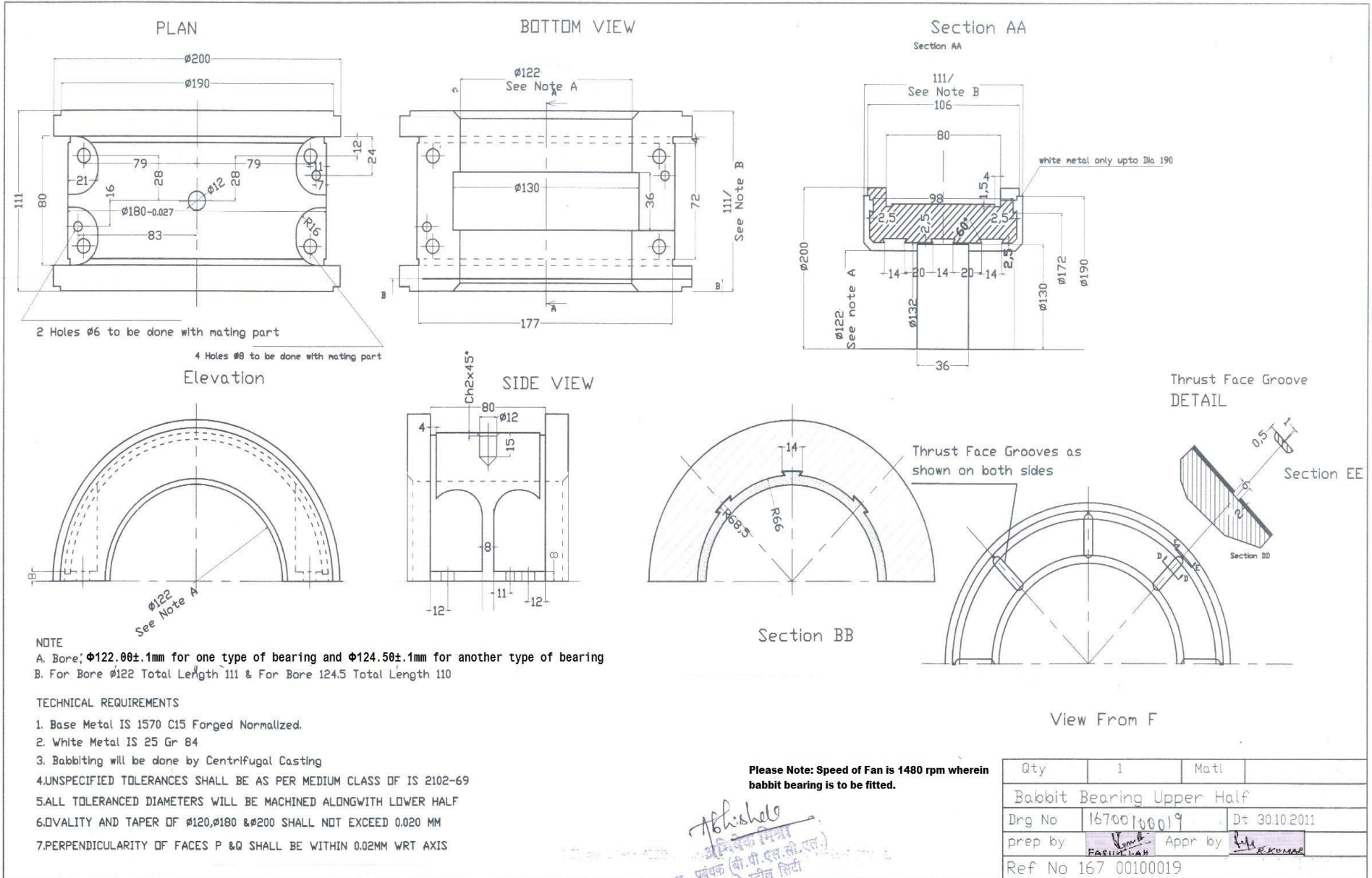
Note: GST Extra

QAP FOR BABBIT BEARING

Sl. No.	ACTIVITY/ITEM	Characteristics Check	CATEGORY	TYPE / METHOD OF TEST	Quantum of check	Reference Document	FORMAT OF RECORD	Agency			Remarks
								P	V	W	
1	RAW MATERIAL										
1.1	BEARING SHELL MATERIAL & INGOT	CHEMICAL	MAJOR	CHEMICAL	100%	APPROVED DRG. IS 1570 C15	LAB TC	VENDOR(FIRM)	TPI,BPSCL	VENDOR(FIRM)	
1.2	FORGING & NORMALISING	FORGING-CHEMICAL	CRITICAL	ANALYSIS	1 NO/HEAT	APPROVED DRG. IS 1570 C15	LAB TC	VENDOR(FIRM)	TPI,BPSCL	VENDOR(FIRM)	
1.3	BABBIT	TENSILE ,ELONGATION & CHEMICAL	CRITICAL	UTS,YS, %EL & CHEMICAL	1 NO/HEAT & 100%	APPROVED DRG. IS 1570 C15 & IS 25 GR84	LAB TC	VENDOR(FIRM)	TPI,BPSCL	VENDOR(FIRM)	
2	IN-PROCESS (MACHINING)										
2.1	MACHINING BEFORE BABBITING	DIMENSION,SURFACE FINISH/VISUAL	MAJOR	MEASUREMENT	100%	APPROVED DRG.	IR	VENDOR(FIRM)	TPI,BPSCL	VENDOR(FIRM)	
2.2	CENTRIFUGALLY CASTING OF BEARING MATERIAL (BABBITING)	ULTRASONIC TEST	CRITICAL	MEASUREMENT	100%	CLASS B OF ISO 4386/1	IR	VENDOR(FIRM)	TPI,BPSCL	VENDOR(FIRM)	Test Report to be submitted to BPSCL
2.3	MACHINING AFTER BABBITING	DIMENSIONAL CONFORMITY	MAJOR	MEASUREMENT	100%	APPROVED DRG.	IR	VENDOR(FIRM)	TPI,BPSCL	VENDOR(FIRM)	
3	FINAL INSPECTION										
3.1	BABBIT BEARING	VISUAL, COMPLETENESS	MAJOR	VERIFICATION	100%	APPROVED DRG.	IR	VENDOR(FIRM)	BPSCL	TPI	
3.2	POROSITY, BLOW HOLES, SURFACE DEFECT ETC.	DYE PENETRATION TEST	CRITICAL	VISUAL	100%	As per ASTM E165	IR	VENDOR(FIRM)	BPSCL	TPI	Test report to be submitted to BPSCL
3.3	DETECTION OF FLAWS BETWEEN BABBIT & BASE MATL	SOUNDNESS	MAJOR	ULTRASONIC TEST	100%	As per acceptable standards	IR	VENDOR(FIRM)	BPSCL	TPI	Test report to be submitted to BPSCL
3.4	DIMENSIONAL	OD, ID, BORE, DIA, OVALITY, TAPERNESS* ETC.	CRITICAL	MEASUREMENT	100%	APPROVED DRG.	IR	VENDOR(FIRM)	BPSCL	TPI	
LENGENDS : P - PERFORMED BY, V - VERIFIED BY, W-WITNESSED BY, TC- TEST CERTIFICATE, DRG- DRAWING, PO -PURCHASE ORDER											

FIRM BPSCL = BOKARO POWER SUPPLY COMPANY (P) LTD. TPI = THIRD PARTY INSPECTION AGENCY	BPSCL	TPI
NOTE: 1. ALL MEASURING & TEST INSTRUMENT/ EQUIPMENT USED BY THE VENDOR SHALL BE CALIBRATED AS PER THE NATIONAL/ INTERNATIONAL STANDARDS. 2. ALONG WITH EACH INSPECTION CALL, VENDOR MUST SUBMIT COPIES OF THE RELATED INSPECTION REPORTS / TEST CERTIFICATES.		P = PERFORMANCE REVIEW / V = VERIFICATION W = WITNESS





**Format for Bid Securing Declaration
(In lieu of EMD)**

Date: _____

Tender Enquiry no.: _____

To
The GM In-charge (Material Management)
Bokaro Power Supply Company (P) Ltd.
Hall No. – M 01
Old Administrative Building
ISPAT Bhawan, Bokaro Steel City

I/We*, the undersigned, declare that:

I/We* understand that, according to your conditions, bids must be supported by a Bid-Securing Declaration in lieu of Earnest Money Deposit.

I / We* understand that if I/We* withdraw or modify my / our* Bids during the period of validity, or if I am / We are* awarded the Contract and I / We* fail to honour my /our* offer by way of either withdrawing my / our* bid within the bid validity period without assigning any valid reason for the same or refusing to submit Performance Security / Performance Guarantee as per relevant Clause of the tender enquiry or refusing to accept the price quoted by me / us* in Online Price Bid or Reverse Auction within the period of validity of the same or refusing to sign the Contract Agreement, I / We* will be suspended for a period of one year from being eligible to submit Bids for all future Contracts.

I / We* understand that this Bid Securing Declaration shall cease to be valid if I am / We are* not the successful Bidder and I am / We are* not awarded the Order against the tender enquiry.

Signed _____ in the capacity of _____

Name: _____

Duly authorized to sign the Bid for and on behalf of: _____

Dated on _____ day of _____, _____

Corporate Seal (where applicable)

[Note: In case of a Joint Venture, the Bid Securing Declaration must be in the name of all partners to the Joint Venture that submits the Bid.]

Self Declaration

I.....son/daughter of Shri Aged..... years
resident ofPS.....District.....State.....do hereby declare
that:

1. I am the authorized representative and signatory of M/s.....
(name of the firm/company).

2. All document(s) submitted/ information provided by M/s..... alongwith the
Bid Document submitted against Tender No.....
.....dated

- for.....
.....(Name of work) has/have been
submitted under my knowledge and are authentic , genuine and true. No part of the document(s) / information is false,
forged or fabricated.

3. The above declaration in respect of genuineness of the documents/ information has been made having full knowledge of
provisions of bidding conditions which entitle the Owner/BPSCL to initiate action in the event of such declaration
turning out to be a false.

4. I undertake to produce all documents in original for verification as and when asked for the same by BPSCL.

(Name & Signature of Authorized person):.....

Designation:.....

(To be submitted on Supplier's Letter Head)

Format for Acceptance of General Terms & Conditions, Commercial Terms and all other Terms of the Reverse Auction

We _____ (Supplier Name)

with PAN _____ having registered office at _____

_____ (Address)

agree to all the Commercial, General & other Terms & Conditions listed in the

NIT No. _____

dated _____

for procurement of _____ (item) through Reverse Auction.

We confirm that we are in a position to supply material as per the specification given in NIT. We agree to participate in the Reverse Auction and abide by the rules.

We nominate an executive, whose details are given below, to put the bids on our behalf.

The details of the person authorized to bid on our behalf is as follows.

Name & Designation :

E-mail ID :

Contact phone nos. :

Address :

(Signature & Seal)

Place :

Date :

Format for submitting last quoted prices

(To be submitted on Company Letter Head of the Bidder)

(To be sent within 30 mins of conclusion of the Reverse Auction)

To,
mjunction services limited
1st Floor, Tata Centre
43, Jawaharlal Nehru Road
Kolkata – 700 071

Fax: 033 – 2288 3279

Ref: Reverse Auction forfor Bokaro Power Supply Co. (P) Ltd. held on

Reference above, we hereby confirm our Market wise last quoted prices in the Reverse Auction held on forfor Bokaro Power Supply Co. (P) Ltd., Bokaro Steel City.

Market No.	Last Quoted Price
	<i>To be submitted by L1 bidder after RA</i>

We also confirm that we will submit item wise price break-up, within two working days from the date of Reverse Auction.

Signature :

Name :

Designation :

Date :