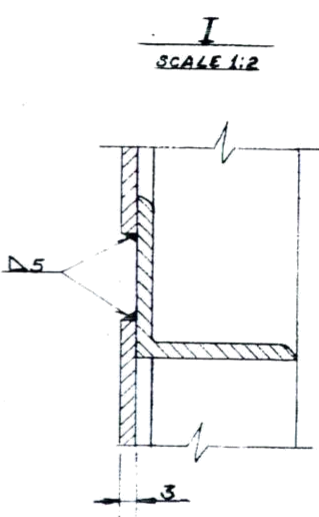


**NOTES:-**

1. WELD SIZE SHOULD BE 15mm AT ALL WELDING PLACES.
2. ALL DIMENSIONS ARE OBTAINED BY MEASUREMENT OF THE PART AND BASED ON DRG. 085-001-00-023 (USSR DRG. NO. K-352190. BSL. ARC. NO. UT-E 89585)
3. THIS DRG. IS CORRESPONDS TO USSR DRG. NO.-K-352138 WHICH IS NOT AVAILABLE

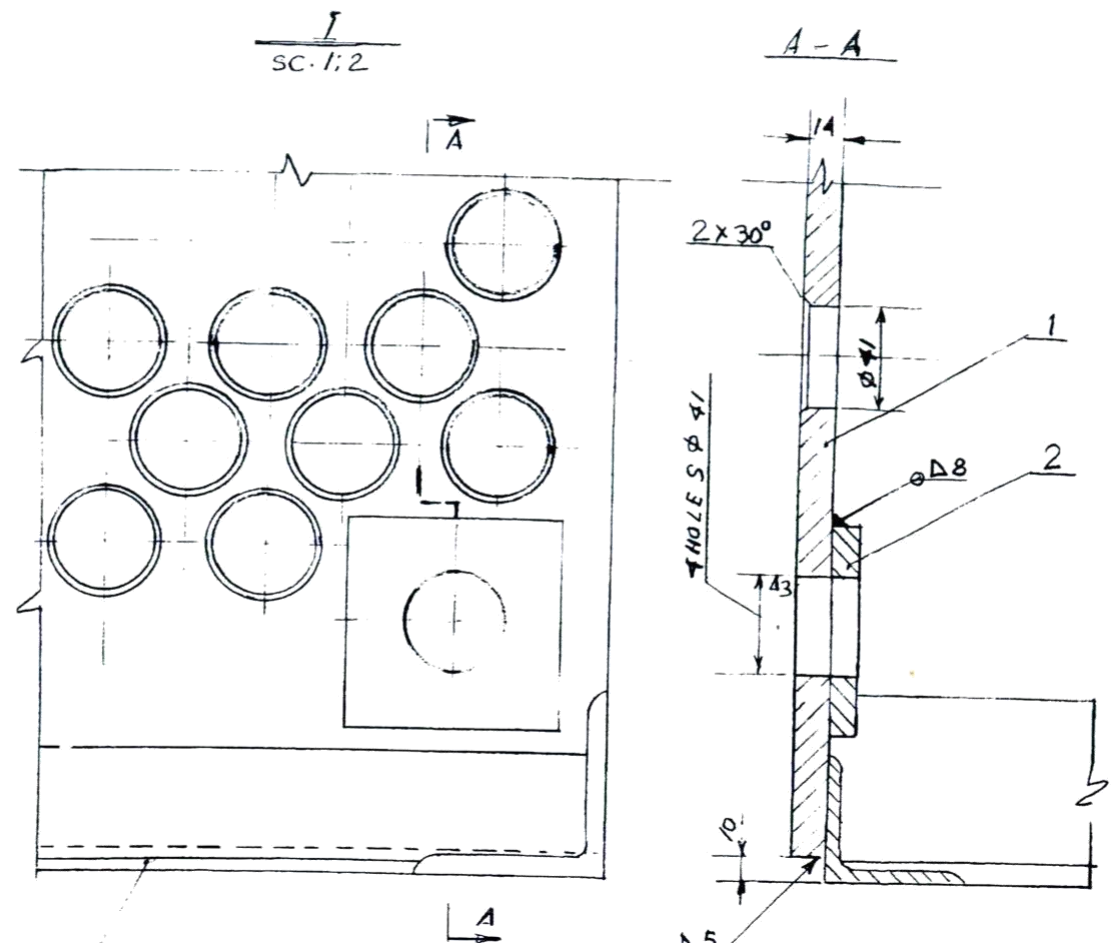
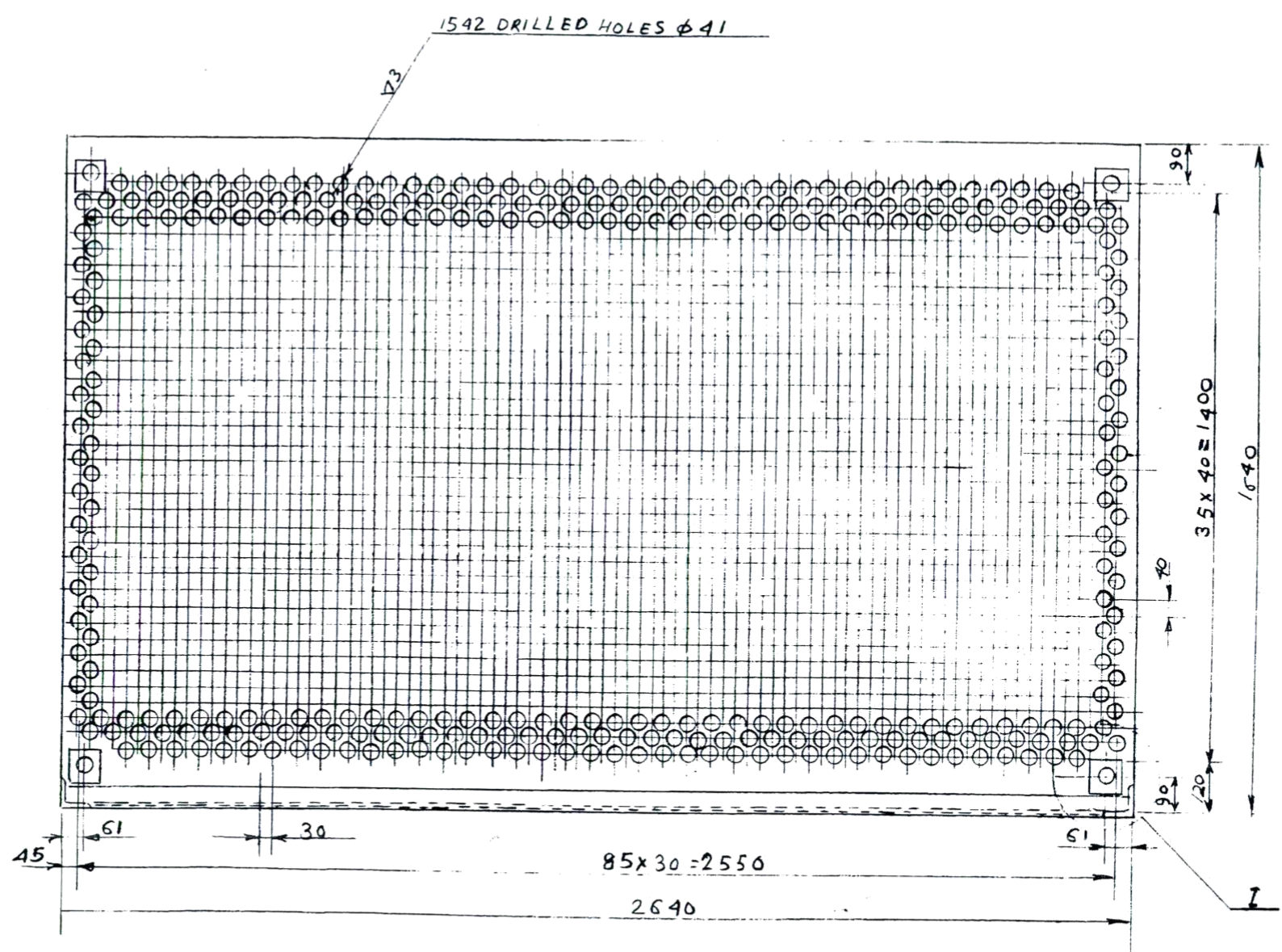


| DRG. NO. | POS. | DESCRIPTION           | QTY | UNIT        | TOTAL       | MATERIAL            | REMARKS |
|----------|------|-----------------------|-----|-------------|-------------|---------------------|---------|
|          |      |                       |     | NT. IN K.G. | NT. IN K.G. |                     |         |
|          |      | WELD METAL            |     | 4.5         | 4.5         | M. 8                |         |
|          | 8    | PLATE 1535x1400x3     | 1   | 50.25       | 50.25       | SL-425<br>IS:226-69 |         |
|          | 7    | PLATE 1535x1415x3     | 1   | 50.80       | 50.80       | SL-428<br>IS:226-69 |         |
|          | 6    | PLATE 1535x700x3      | 1   | 25.1        | 25.1        | SL-428<br>IS:226-69 |         |
|          | 5    | ANGLE 65x65x5, L=720  | 2   | 18.0        | 36.0        | STRU-STEEL          |         |
|          | 4    | ANGLE 65x65x5, L=720  | 2   | 3.5         | 7.0         | STRU-STEEL          |         |
|          | 3    | ANGLE 65x65x5, L=735  | 1   | 3.7         | 3.7         | -DO-                |         |
|          | 2    | ANGLE 65x65x5, L=730  | 2   | 3.6         | 7.2         | -DO-                |         |
|          | 1    | ANGLE 65x65x5, L=1545 | 6   | 7.6         | 45.6        | -DO-                |         |

| DRG. NO.       | POS. | DESCRIPTION         | QTY | UNIT   | MATERIAL | G.A. DRG.      | SC.  | DRG. NO.       |
|----------------|------|---------------------|-----|--------|----------|----------------|------|----------------|
| 085-001-00-023 | 7    | SECTION SIDE SHIELD | 1   | 230-15 | ASSLY    | 085-001-00-023 | 1:20 | 085-001-00-024 |

|                        |  |                             |                |
|------------------------|--|-----------------------------|----------------|
|                        |  | <b>BOKARO STEEL LIMITED</b> |                |
| SHOP                   | T. P. P. & T. B. S.  |                             |                |
| UNIT                   | BOILER   |                             |                |
| DESCRIPTION OF DRAWING | DETAILS OF AIR HEATER SECTION EXTREME OF BOILER T <sub>17-155</sub> , D=220 $\frac{1}{2}$ , P=100 $\frac{1}{2}$ , t=540 <sup>o</sup> C |                             |                |
| REVISIONS              | DRAWN  | S. PRASAD                   | 12/5           |
|                        | CHECKED  | B. RAM                      |                |
|                        | TRACED   |                             |                |
|                        | SUBMITTED  |                             |                |
|                        | APPROVED   |                             |                |
|                        | DATE   | MAY-75                      |                |
|                        | SCALE  |                             |                |
|                        |  |                             | 085-001-00-024 |

0.5A1



FRAME POS. NO. 6 DRG. NO. 085.001.00.033  
SHOWN CONVENTIONALLY IN ASSLY. WITH  
BED PLATE (LOWER)

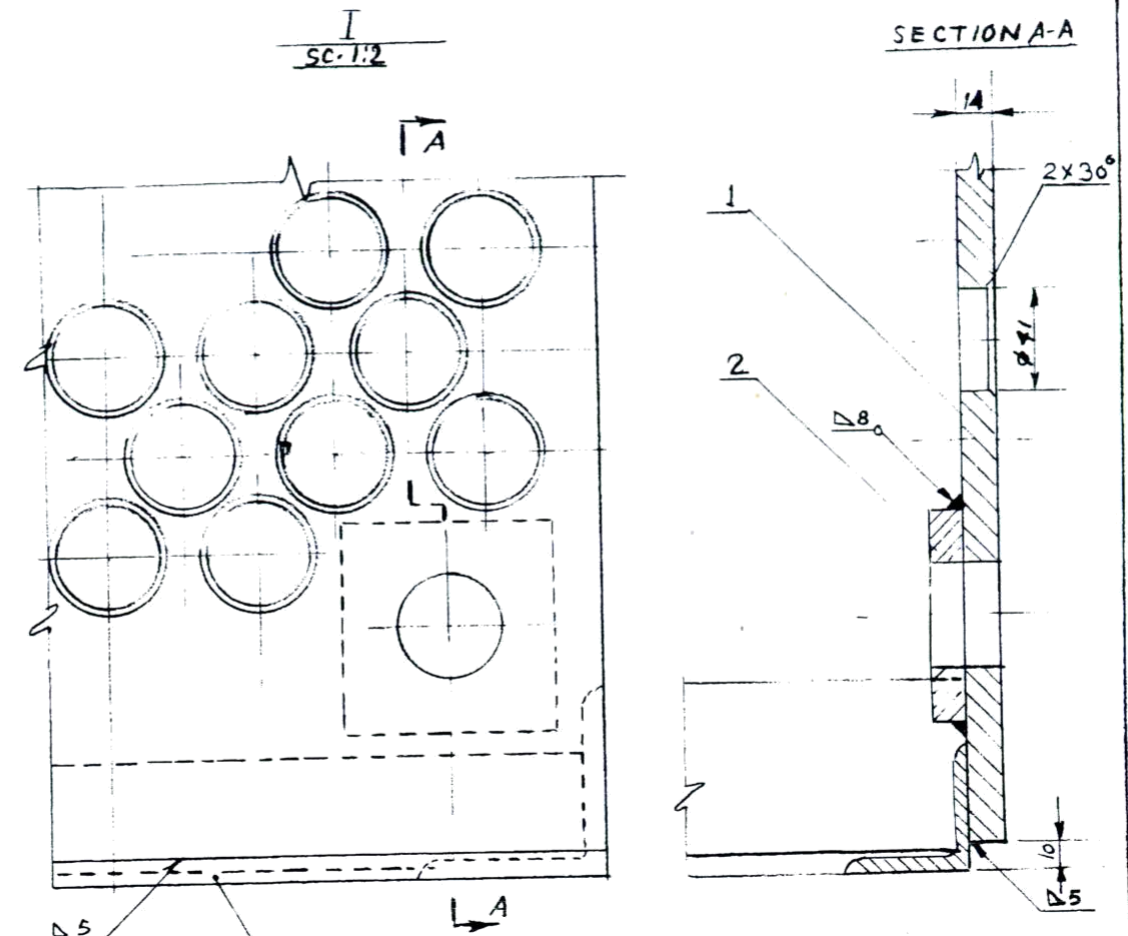
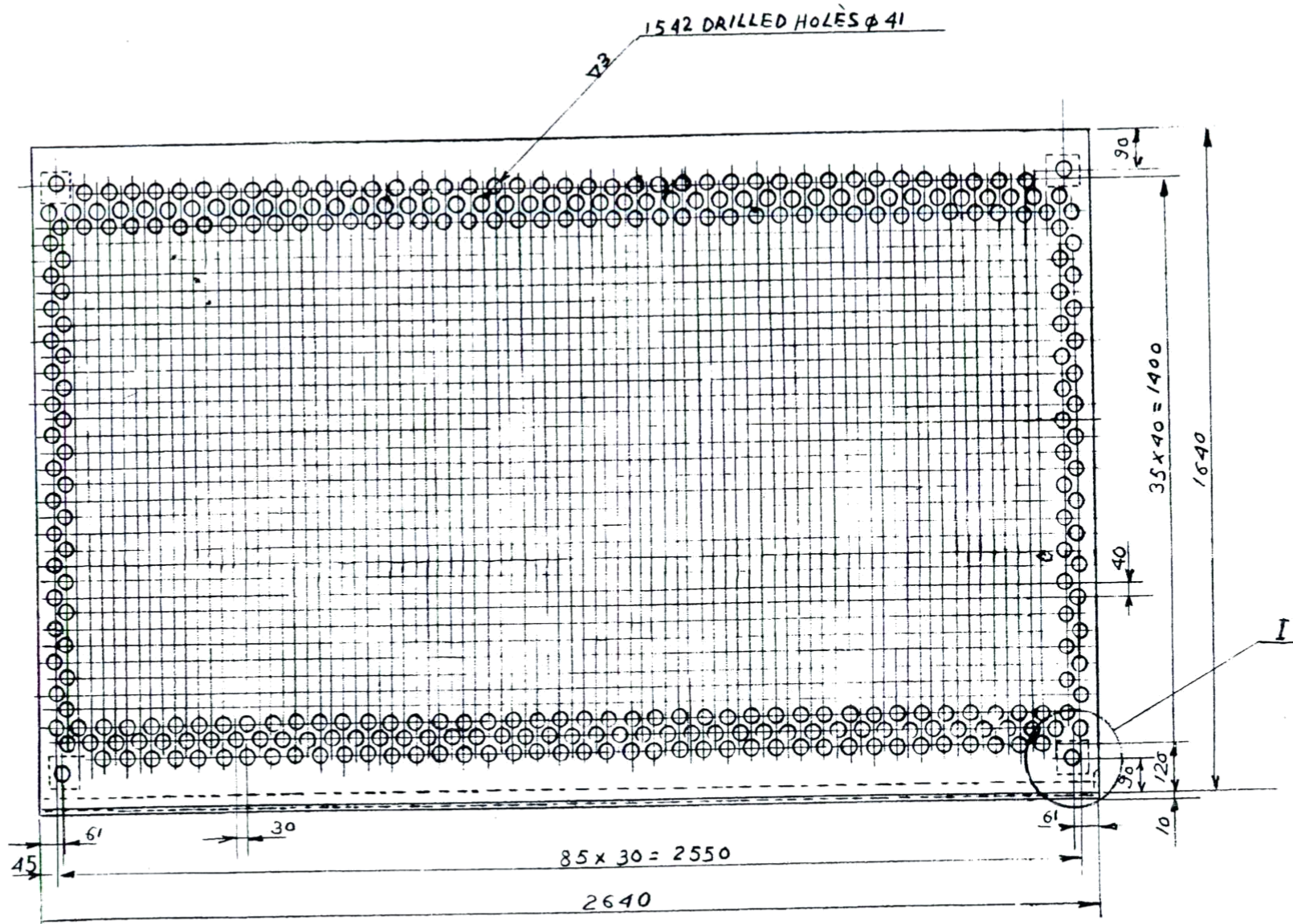
| DRG. NO.       | POS. | DESCRIPTION           | QTY. | UNIT   | TOTAL WT. IN KG. | MATERIAL   | REMARKS             |
|----------------|------|-----------------------|------|--------|------------------|------------|---------------------|
| 085.001.00.023 | 2    | SQ. PLATE 84 X 84 X 2 | 4    | 0.54   | 2.16             | IS-2062-69 | Fe410 WB IS:2062-92 |
| 085.001.00.030 | 1    | PLATE 2640 X 1640 X   | 1    | 255.35 | 255.35           | IS-2062-69 | Fe410 WB IS:2062-92 |

| POS. NO. | DESCRIPTION       | QTY. | UNIT   | MATERIAL | G.A. DRG.      | SC.  | DRG. NO.        |
|----------|-------------------|------|--------|----------|----------------|------|-----------------|
| 1        | BED PLATE (LOWER) | 1    | 257.51 | ASSLY.   | 085.001.00.023 | 1:10 | 085.001.00.025A |

|                        |           |  |      |     |       |                  |  |
|------------------------|-----------|--|------|-----|-------|------------------|--|
| BOKARO STEEL LIMITED   |           |  |      |     |       |                  |  |
| SHOP                   |           | T.P.P. E.T.B.S.  |      |     |       |                  |  |
| UNIT                   |           | BOILER (085/001)   |      |     |       |                  |  |
| DESCRIPTION OF DRAWING |           | DETAILS OF AIR HEATER SECTION EXTREME E' INTERMEDIATE OF BOILER T77-155 D=220 <sup>TH</sup> P=100KG/CM <sup>2</sup> t=540 <sup>C</sup> |      |     |       |                  |  |
| REVISIONS              | DRAWN     | S. PRASAD  | 28/5 | sd. | DATE  | MAY 75           |  |
| @Mtd Updated           | CHECKED   | B. RAM   |      | sd. | SCALE | 1:10, 1:2        |  |
| sd. M.H.R. ANSARI      | TRACED    |  |      |     |       |                  |  |
| 27.8.02                | SUBMITTED |  |      |     |       |                  |  |
|                        | APPROVED  |  |      |     |       | 085.001.00.025 A |  |

NOTES:-  
1. THIS DRG. HAS BEEN MADE AFTER TAKING THE MEASUREMENTS OF THE PART E' BASED ON USSR DRG. NO. K-352190, BSL ARCH NO. UT-E/89195 (PLD. DRG. NO. 085.001.00.023)  
2. THIS DRG. CORRESPONDS TO USSR DRG. NO. K-255234 WHICH IS NOT AVAILABLE.

| RETRACED | MD. ZAINUDDIN | MD. ZAINUDDIN | DATE     |
|----------|---------------|---------------|----------|
| CHECKED  | N. K. JHA     | NKJ           | OCT-2004 |



FRAME POS. NO. - 6. DRG. NO. 085.001.00.033  
SHOWN CONVENTIONALLY IN ASSLY. WITH BED  
PLATE (TOP)

|          |               |               |           |
|----------|---------------|---------------|-----------|
| RETRACED | MD. ZAINUDDIN | MD. ZAINUDDIN | DATE      |
| CHECKED  | S. K. B.      | 27/02         | OCT. 2004 |

NOTES:-

- THIS DRG. HAS BEEN MADE AFTER TAKING THE MEASUREMENTS OF THE PART AND BASED ON USSR DRG. NO. 352190. BSL ARCHIVE NO. UTE/89695. (PLD DRG. 085.001.00.023)
- THIS DRG. CORRESPONDS TO USSR DRG. NO. K-255233. WHICH IS NOT AVAILABLE

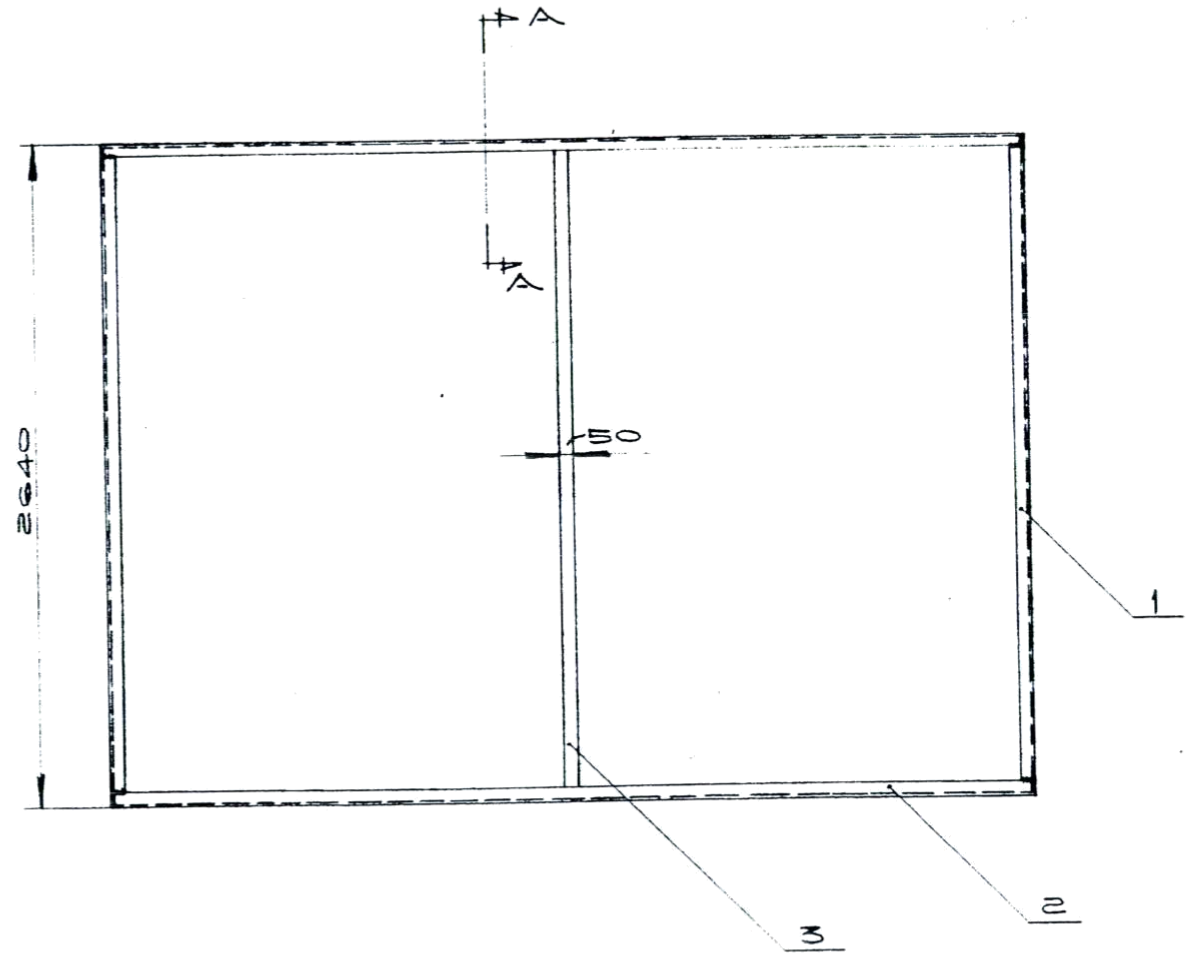
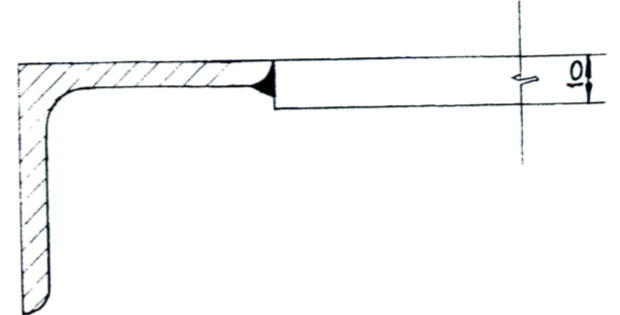
| DRG. NO.       | POS | DESCRIPTION        | QTY | UNIT   | TOTAL  | MATERIAL                      | REMARKS |
|----------------|-----|--------------------|-----|--------|--------|-------------------------------|---------|
| 085.001.00.029 | 2   | Sq. PLATE 84x84x12 | 4   | 0.54   | 2.16   | St. 42W Fe 410 WB IS: 2062-92 |         |
| 085.001.00.034 | 1   | PLATE 2640x1640x14 | 1   | 255.35 | 255.35 | St. 42W Fe 410 WB IS: 2062-92 |         |

| POS. | DESCRIPTION     | QTY | UNIT   | MATERIAL | G.A. DRG.      | SC   | DRG. NO.        |
|------|-----------------|-----|--------|----------|----------------|------|-----------------|
| 3    | BED PLATE (TOP) | 1   | 257.51 | ASSLY    | 085.001.00.023 | B:10 | 085.001.00.026A |

|   |   |             |      |     |       |                  |  |
|---|---|-------------|------|-----|-------|------------------|--|
| BOKARO STEEL LIMITED                      |   |             |      |     |       |                  |  |
| SHOP                                      | T P P E T B S   |             |      |     |       |                  |  |
| UNIT                                      | BOILER (085/001)  |             |      |     |       |                  |  |
| DESCRIPTION OF DRAWING                    | DETAILS OF AIR HEATER SECTION EXTREME OF BOILER T11-155, D=220 T/M, P=100 KG/SQ. CM., t=540 |             |      |     |       |                  |  |
| REVISION                                  | DRAWN   | S. PRASAD   | 27/5 | sd. | DATE  | MAY-75           |  |
| MAT. UPDATED BY M. H. RAMSARI dt. 27.8.02 | CHECKED   | B. RAM      |      | sd. | SCALE |                  |  |
|   | TRACED  |             |      |     |       |                  |  |
|   | SUBMITTED   | J. C. SINHA |      | sd. |       | 085.001.00.026 A |  |
|   | APPROVED  |             |      |     |       |                  |  |



SECTION-A-A  
SCALE-1:1



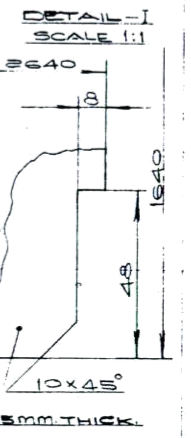
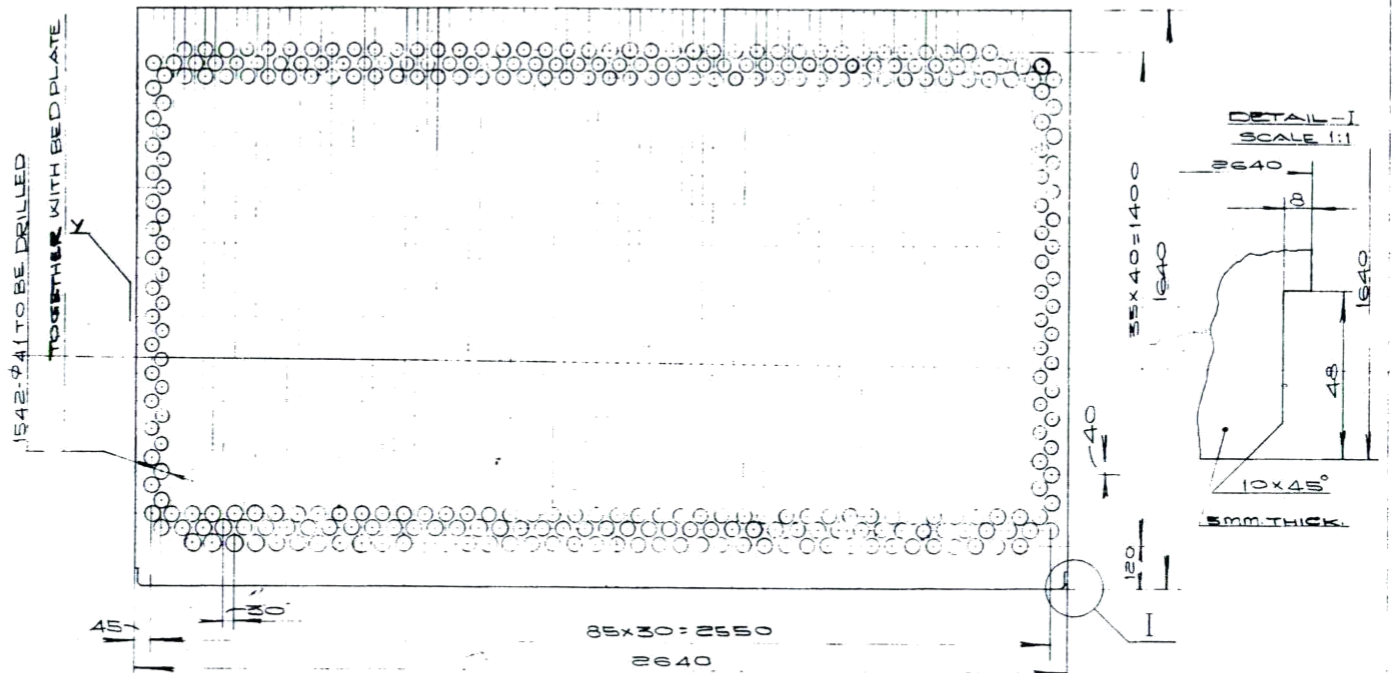
| PLD DRC. NO. | BO. NO. | DESCRIPTION             | QTY       | UNIT  | TOTAL | MATERIAL | REMARKS                               |
|--------------|---------|-------------------------|-----------|-------|-------|----------|---------------------------------------|
|              |         |                         | WT. IN KG |       |       |          |                                       |
| -            |         | WELD METAL 8%           | -         | -     | 1.14  | M.S.     |                                       |
| 3            |         | PLATE<br>2540X50X10     | 1         | 9.9   | 9.9   | M.S.     | STAIN FILING<br>15.2062-69 15.2062-70 |
| 2            |         | ANGLE 50X50X5<br>L=3672 | 2         | 13.98 | 27.9  | M.S.     |                                       |
| 1            |         | ANGLE 50X50X5<br>L=2640 | 2         | 9.65  | 19.3  | M.S.     |                                       |

| POS NO. | DESCRIPTION  | QTY       | UNIT | MATERIAL | CAD. DRC. NO. | BO. DRC. NO. |
|---------|--------------|-----------|------|----------|---------------|--------------|
|         |              | WT. IN KG |      |          |               |              |
| 5       | FRAME ASSLY. | 1         | 582  | ASSLY    | K-352180      | 180          |

|                        |          |   |                 |
|------------------------|----------|---|-----------------|
|                        |          | <b>BOKARO STEEL LIMITED</b>   |                 |
| SHOP                   |          | TERRACE T.B.S.  |                 |
| UNIT                   |          | BOILER 35/001   |                 |
| DESCRIPTION OF DRAWING |          | DETAILS OF AIR HEATER SECTION EXTREME OF BOILER TR-155. D=220T/H; P=100KG/Sq. CM. t=540°C |                 |
| REVISIONS              | DRAWN    | D. PRASAD   | DATE MAY '75    |
|                        | CHECKED  | B. RAM  | SCALE 1:20      |
|                        | TRACED   |   |                 |
|                        | SUBMITT. | I.C. SINHA,   | 085.001.00.028A |
|                        | APPROV.  |   |                 |

085.001.00.032A

▽3 ALL OVER



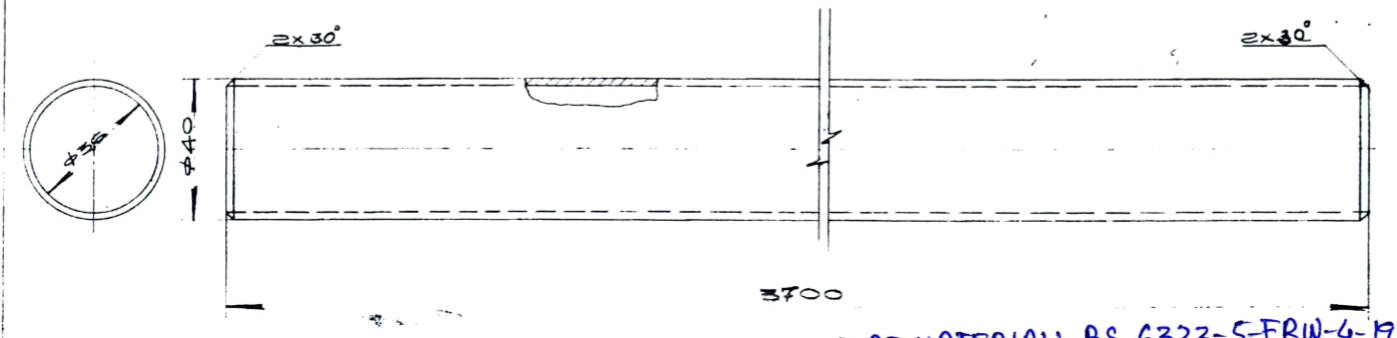
THIS DRG. HAS BEEN MADE AFTER TAKING THE MEASUREMENTS OF THE PART AND BASED ON USSR DRG. NO. K 352183 AND BSL ARCH. NO. UT-E/89594, P.D. No 085.001.00.022. 15:2062-92

| NO | DESCRIPTION      | QTY | UNIT | MATERIAL | GA              | DRG  | SC | DRG NO          |
|----|------------------|-----|------|----------|-----------------|------|----|-----------------|
| 2  | BED PLATE MIDDLE | 1   | SIZE | ST 45    | 085.001.00.032A | 1:10 |    | 085.001.00.032A |

@Mall updated  
Rashed  
20.9.04

Cr.

085.001.00.031A



TUBE MATERIAL: BS 6323-5-ERW-4-1982

Cr. 31/7/19

NOTE:  
THIS DRG. HAS BEEN MADE AFTER TAKING THE MEASUREMENTS OF THE PART AND BASED ON USSR DRG. NO. K 352183 AND BSL ARCH. NO. UT-E/89594, P.D. No 085.001.00.022.

| NO | DESCRIPTION | QTY    | UNIT | MATERIAL             | GA | DRG | SC | DRG NO          |
|----|-------------|--------|------|----------------------|----|-----|----|-----------------|
| 5  | PIPE        | 1542.9 | CM   | BS 6323-5-ERW-4-1982 |    |     |    | 085.001.00.031A |

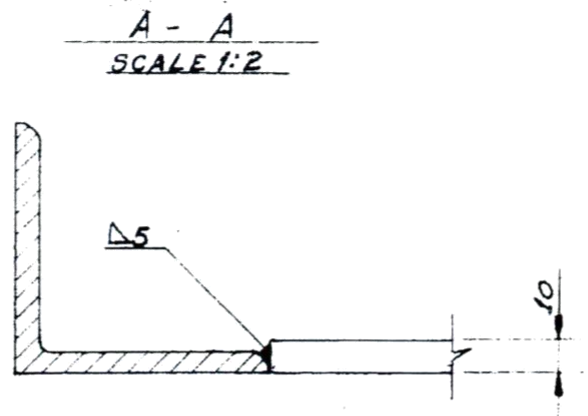
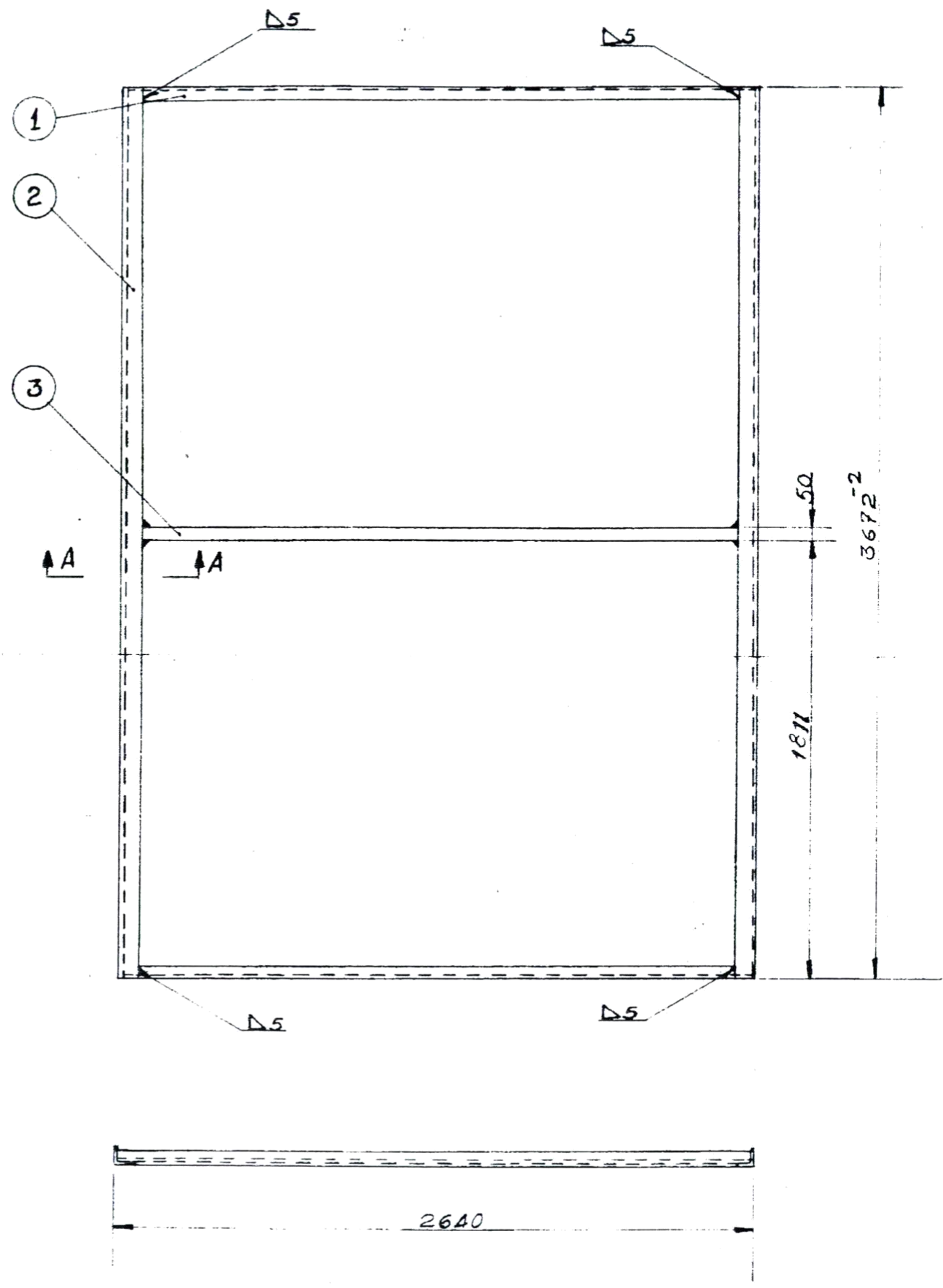
  

|                        |  |                   |
|------------------------|--|-------------------|
| FP-11                  | BOKARO STEEL LIMITED                         |                   |
| SHOP                   | T.P.P. E. T.B.S.                             |                   |
| UNIT                   | DRUM TYPE STEAM BOILER                       |                   |
| DESCRIPTION OF DRAWING | DETAILS OF AIR HEATER SECTION (INTERMEDIATE) |                   |
| REVISIONS              | DRAWN  | D.P.D.            |
|                        | CHECKED                                      | B.R.A.M.          |
|                        | TRACED                                       |                   |
|                        | SUBMITT                                      |                   |
|                        | APPROV                                       |                   |
|                        |  | DATE MAY '75      |
|                        |  | SCALE 1:1:1:1:10  |
|                        |  | 085.001.00.031A   |
|                        |  | TO 085.001.00.032 |

05A1

173412

085.001.00.033



**NOTES:-**

1. ALL DIMENSIONS ARE OBTAINED BY MEASUREMENT OF THE PART AND BASED ON DRG. NO. - 085-001.00.023 (USSR DRG. NO. - K-352190 B.S.L. ARCHIVES NO. - UT-E/89595).
2. THIS DRG. IS CORRESPONDS TO USSR DRG. NO. - K-352139 WHICH IS NOT AVAILABLE.

| DRG. NO. | POS. | DESCRIPTION           | QTY. | UNIT       | TOTAL | MATERIAL   | REMARK    |
|----------|------|-----------------------|------|------------|-------|------------|-----------|
|          |      |                       |      | WT. IN KG. |       |            |           |
|          |      | WELD METAL            |      |            | 0.94  |            |           |
|          | 3    | PLATE 2490x52x10      | 1    | 8.83       | 8.83  | St-42M     | 15:206269 |
|          | 2    | ANGLE 75x75x8, l=3672 | 2    | 32.68      | 65.36 | STRU-STEEL |           |
|          | 1    | ANGLE 50x50x5, l=2620 | 2    | 10.07      | 20.14 | STRU-STEEL |           |

| POS. | DESCRIPTION | QTY.    | UNIT      | MATERIAL       | G.A. DRG. | SC. DRG. NO.   |
|------|-------------|---------|-----------|----------------|-----------|----------------|
|      |             | WT. KG. |           |                |           |                |
| 6    | FRAME       | 1       | 95% ASSLY | 085-001.00.023 | 1:20      | 085-001.00.033 |

|                        |  |           |      |        |       |                |
|------------------------|--|-----------|------|--------|-------|----------------|
|                        | <b>BOKARO STEEL LIMITED</b>  |           |      |        |       |                |
| SHOP                   | T. P. P. & T. B. S.  |           |      |        |       |                |
| UNIT                   | BOILER (085/001)   |           |      |        |       |                |
| DESCRIPTION OF DRAWING | DETAILS OF AIR HEATER SECTION EXTREME OF BOILER T <sub>H</sub> -155, D=220T <sub>H</sub> , P=100KG/CM <sup>2</sup> , t=540°C |           |      |        |       |                |
| REVISIONS              | DRAWN  | S. PRASAD | 14/5 | Prasad | DATE  | MAY-75         |
|                        | CHECKED  | B. RAM    |      | Ram    | SCALE |                |
|                        | TRACED   |           |      |        |       |                |
|                        | SUBMITTED  |           |      |        |       | 085.001.00.033 |
|                        | APPROVED   |           |      |        |       |                |

0.25A1