

# **BOKARO POWER SUPPLY CO. (P) LTD.**

**HALL NO:- M-01, OLD ADMINISTRATIVE BUILDING,  
ISPAT BHAVAN, BOKARO STEEL CITY – 827001**

**Reg. Office : Ispat Bhawan, Lodhi Road, New Delhi – 110 003  
CIN:U40300DL2001PTC112074**

**TENDER NOTICE NO. BPSCL/MM/23-24/PUR-088/NIT-1323**

**Dated 13.07.2023**



## **TENDER DOCUMENT**

**SUBJECT: PROCUREMENT OF HT MOTORS.**

# INDEX

<b>Sl. No.</b>	<b>Subject</b>	<b>Page No.</b>
<b>1</b>	<b>Cover Page</b>	<b>1</b>
<b>2</b>	<b>Index</b>	<b>2</b>
<b>3</b>	<b>Notice Inviting Tender</b>	<b>3-5</b>
<b>4</b>	<b>Section – I Conditions &amp; Rules to be observed in submitting Tenders</b>	<b>6 - 8</b>
<b>5</b>	<b>Section – II General Terms and Conditions</b>	<b>9 - 10</b>
<b>6</b>	<b>Section – III Techno-Commercial Terms &amp; Conditions</b>	<b>11-12</b>
<b>7</b>	<b>Section – IV Price BID / RA Format</b>	<b>13</b>
<b>8</b>	<b>Annexure – IA-IE Technical Specification</b>	<b>14-27</b>
<b>9</b>	<b>Annexure – II Self Declaration</b>	<b>28</b>
<b>10</b>	<b>Annexure - III Format for RA Acceptance</b>	<b>29</b>
<b>11</b>	<b>Annexure - IV Format for submitting Last Quoted Price</b>	<b>30</b>

# Bokaro Power Supply Co. (P) Ltd.

(A Joint Venture of SAIL & DVC)  
Hall No: - M-01, Old Administrative Building,  
Ispat Bhavan, Bokaro Steel City – 827001  
Reg. Office : Ispat Bhawan, Lodhi Road, New Delhi – 110 003  
CIN:U40300DL2001PTC112074

## NOTICE INVITING TENDER

NIT No.: BPSCL/MM/23-24/PUR-088/NIT-1323

Date: 13.07.2023

For and on behalf of BOKARO POWER SUPPLY COMPANY (P) LTD, sealed tenders in two parts, **Part - A** : EMD and **Part- B** : Technical & Commercial Offer with copy of system generated acknowledgement-slip for online submission of sealed price are invited from the bidders meeting the qualification criteria stipulated in the bidding documents for supply of following items:

Item under procurement	HT Motors.
Earnest Money (in Indian Rs.)	<b>Rs. 1,00,000.00</b> (Rupees One Lakh Only) OR <b>Document for Exemption</b> as per clause (ii) of General Terms & conditions.
Last date & time for submission of tender	<b>18.08.2023</b> up to <b>12: 00 Hours</b>
Bid Opening date & time	<b>18.08.2023</b> at <b>12:15 PM</b>

### Qualifying Requirements: -

- The bidder should have minimum average annual turnover (MAT) of **Rs. 56.72 Lakhs** only.
  - Average annual turnover shall be determined taking into consideration turnover of preceding three (03) consecutive financial years. Other income shall not be considered for arriving at annual turnover.
  - Audited annual account along with auditor's report of the bidder should be furnished in support of the same. Where audited account is not mandatory as per the law, the bidder has to submit annual financial turnover during the consecutive last three (03) years ending 31<sup>st</sup> March of the previous financial year duly certified by CA.

### 2. **Technical capability:**

The bidder shall have requisite experience of manufacturing /supplying of "similar item" in India to any Public Sector Undertaking/Government/Semi Government Organization or joint venture thereof / Company registered under Companies Act.

**Similar item: "VPI Motors having Output Capacity of 420 kW or more and Voltage grade of 6.6 kV or more".**

### **If the bidder is:**

- Manufacturer:-** Has to submit following documents:
    - Copy of Purchase Order and proof of supply of Motor.
    - Valid ISO 9001-2015 certificate of Electric Motors Manufacturing.
  - Authorized Representative:-** Has to submit following documents from the manufacturer.
    - Authorization Certificate
    - Copy of Purchase Order and proof of supply of Motor.
    - A valid ISO 9001-2015 certificate of electric motor manufacturing.
  - Supplier :** Has to submit Copy of Purchase Order and proof of supply of motor & following documents from the manufacturer.
    - Dealership Certificate.
    - A valid ISO 9001-2015 certificate of motor manufacturing.
- Bidder has to submit a Performance Certificate of Supplied HT Motors over a period of last 01 (One) year (at least), for which orders has been submitted by the bidder.
  - The bidder is required to submit self-attested photocopies of documents (Purchase Orders, GRN / Delivery Challan / Completion certificate etc.) in support of their eligibility and experience. In addition, bidder shall submit a self declaration in enclosed format at **Annexure – II**.
  - The bidder shall furnish latest **IT return** and **GSTIN**. The bidder shall also submit acceptance to Terms & Conditions of Reverse Auction in the format attached at **Annexure – III**.

## **General Terms & Conditions:**

i) Offer shall be accompanied with Earnest Money Deposit (EMD) in the form of Demand Draft / Pay Orders / Bankers Cheque Payable at Bokaro Steel City / Bank Guarantee having validity of, *one (01) year*, from any Nationalized Bank / Scheduled Bank except Co-operative Bank drawn in favor of **Bokaro Power Supply Company (P) Ltd.** as per format available at our website: [www.bpscl.com](http://www.bpscl.com). Earnest Money can also be deposited online through RTGS / NEFT / SWIFT / TT Remittance in our account, details of which are given below. The proof of such transfer shall be submitted with the offer in the envelope titled " Earnest Money Deposit".

**Account Details:**

Bank Name	:	State Bank of India
Account Number	:	35665021458
IFSC Number	:	SBIN0004231
Branch Name	:	SME Branch, Sector - 4, City Centre, Bokaro Steel City, Jharkhand - 827004.

*In case of forfeiture of EMD by BPSCL the bidder is required to reimburse the applicable GST to BPSCL.*

ii) Micro & Small Enterprises (MSEs) / PSU /Govt. Undertakings and Co-operative societies will be exempted from submission of Earnest Money as per government policy. For MSEs, the exemption from submitting Earnest Money will be granted only on submission of valid copy of Udyam Registration Certificate. SSI/NSIC certificate holders should also submit Udyam Registration Certificate. Further, unit claiming exemption is required to submit copy of Udyam registration certificate clearly indicating the item category for which they are registered.

iii) **Offers not accompanied with Earnest Money Deposit (EMD) (as per clause i) or documents for exemption (as per clause ii) will be treated as INVALID.**

iv) If you withdraw your bid after opening of bids without giving any satisfactory and acceptable explanation thereof, you shall be disqualified from participating in any tender of the BPSCL for a minimum period of one (01) year and your Earnest Money will be forfeited.

v) **Purchase Preference:** BPSCL reserves the right to exercise Purchase Preference in respect of MSEs based on the extant guidelines issued by Government of India vide Public Procurement Policy for Micro & Small Enterprises (MSEs) order 2012 & subsequent amendments.

v) You should quote your firm rates and no negotiations will be held except with the lowest bidder, if required.

vi) **Handling of Earnest Money:**

a. Earnest Money will be refunded to the unsuccessful bidder after determination of L-1 bidder and no interest will be paid upon the same. **You are requested to submit your bank details for the return of EMD.**

b. The amount of Earnest money may be adjusted against Security Deposit in case of successful bidder.

vii) Consortium bids will not be considered unless the provision for consortium is specifically mentioned in Tender Document.

viii) **RATE FINALIZATION:** BPSCL reserves the right to finalize the rate through either of the following modes:

1. Opening of Online Price (*submitted on [www.buyjunction.in](http://www.buyjunction.in)*) submitted at the time of techno-commercial bid.
2. Through Reverse Auction to be conducted by our service provider **M/s. mjunction.**

**Note:** BPSCL may ask the techno-commercially accepted bidders to submit decrement in percentage (%) on their online price submitted at the time of techno-commercial bid. Online price bid along with % decrement shall be considered together in case online price bid is opened.

ix) Either the representative on behalf of the Manufacturer or the Manufacturer directly be permitted to bid in a tender but not both. If authorized representative of manufacturer quote along with manufacturer, only the offer of Manufacturer will be considered as valid.

x) One agent cannot represent two Manufacturer or quote on their behalf in a particular tender.

xi) **BPSCL reserves the right to:**

- a) Re-tender / extend the due date of submission of offer.
- b) Accept or reject any offer / all offers in full or part at any time at any stage without assigning any reasons and without any compensation thereof to the bidders.
- c) Modify the tender documents at any stage before the due date of tender.

**Note:**

1. Tender documents are to be downloaded from **Website: [www.bpscl.com](http://www.bpscl.com)** only.
2. Bidders are requested to visit above website regularly for any addendum / corrigendum / Extension till opening of the NIT. **Any such changes shall not be published through Press advt.**

For and on behalf of  
Bokaro Power Supply Company (P) Limited

(A K Das)  
CGM (MM)  
Tel : 8986874119  
Email: [purchase@bpscl.com](mailto:purchase@bpscl.com)

**CONDITIONS & RULES TO BE OBSERVED IN SUBMITTING TENDERS**

**1.01 Manner of Submission of the Tender**

The tender shall be divided into 02 parts as follows:-

- a) **Part A:** This part shall comprise of EMD / Proof of online submission of EMD / Documents for exemption of EMD.
- b) **Part B:** This part shall comprise of Technical and Commercial details, consent on terms & conditions of NIT/ signed Tender Document along with copy of **SYSTEM GENERATED ACKNOWLEDGEMENT-SLIP FOR ONLINE SUBMISSION OF SEALED PRICE\*** bid etc.

Sealed Tender *through Regd. Post/Speed Post/In-person/Courier Service* only, in an envelope containing 02 (Two) separate sealed envelopes (*as mentioned above*) with NIT No. & date of opening along with Sender's Name & Address printed on it, is to be sent to the below mentioned address:

Chief General Manager (MM)  
Bokaro Power Supply Co. (P) Ltd.  
Hall No.M-01, Old ADM Building  
Ispat Bhawan, Bokaro Steel City – 827001  
Ph: 06452 240380, Mob: 8986874119

**\* PROCESS FOR ONLINE SUBMISSION OF SEALED PRICE:**

1. Online sealed Price Bid (**Landed Cost per unit Excluding GST**), through URL: **<http://www.buyjunction.in>**.

**The process of submission of Online Price bid is as detailed hereunder-**

Step 1: Type **<http://www.buyjunction.in>** in the internet explorer.

Step 2: Click on Login (present on Top right side of the Page)

Step 3: Click on **View Live Auctions and Tenders**.

Step 4: In the right side open/ global tenders link will be displayed.

Step 5: Click on the link for the above mentioned tender link present under Open tenders

Step 6: Click on new user if you are not registered in buyjunction earlier. Click on Existing user in-case you have already registered in buyjunction earlier. Existing users can login with their user id and password.

**Please note** foreign bidders are required to select their bidding currency from the drop down menu available before proceeding further (where ever applicable).

**New Users:**

Steps to get your **User ID** and **Password**

1. Click on the required tender link under **“Open Tenders”**
2. Choose your Auction currency in-case any option is coming to select currency. Click on **“New User”**
3. Fill up the **“Registration Form”** and click on **“Submit”**. All fields marked with (\*) are mandatory fields.
4. On submitting the filled-up registration form, an auto generated email will be sent to the email address you have mentioned in the registration form containing your User ID and Password.
5. Changing of password on first login is compulsory.
6. On receipt of the User ID and Password you become an **Existing User**. Now follow the steps of existing user to login to the auction site.

**Existing Users**

1. Click on the required tender link under **“Open Tender”**
2. Click on **“Existing User”**.
3. Log in with your existing user id and password for placing your bid.
4. Read through the **“Bidding Procedure”** to proceed further for bidding.

**Bidding Procedure**

After logging in with your user id and password you have to accept the **“Auction Terms”**.

**Steps to accept the “Auction terms”:**

1. Click on **“Auction Terms”**.

2. Then click on “**View term without DSC**”
3. Click on the relevant auction terms appearing under “**Term**” column.
4. Select the check box on the left-side of the relevant auction terms.
5. Click on the button besides “**Accept**”.
6. Then click on “**Submit**”.
7. A message will be displayed to you mentioning your acceptance to terms for auction.
8. It is mandatory to accept the terms of online bidding in order to proceed for submission of bid.

#### **Steps to Submit Price Bid**

1. Click on “**Bids.**”
2. Then click on “**Live Auction.**”
3. Put your login password as transaction password
4. Select the auction id and click on add to watch list.
5. Now the bidding screen is visible.

#### **6a. For Template Bidding**

1. Click on **Icon “T”** on left column of bidding screen (Which will appear separately **for each lot**).
2. A template form will open where you need to fill up the price & click on evaluate at the bottom
3. If you want to quote the evaluated price then click on “**confirm**”.
4. After clicking on the confirm button of the template window, your price will appear in the “**New Bid**” box.

#### **6b. For Non-Template Bidding**

1. Fill your Price in the “**New Bid Box**” visible on the bidding screen.
2. Select the check box at the extreme left of the bidding screen
3. Click on “**Submit**” button placed at the bottom left of the screen.
4. Bid once placed will have to be honoured.
5. You will see “**Bid Accepted**” in the “**Result**” column. This indicates that your bid is accepted and registered in the system.

#### **Steps to take a print-out of the receipt**

1. Once you have placed your bid, to download Bid Receipt, kindly click on “**Download**”.
2. Then click on “**Bid Receipt for Open Tender**”.
3. Select the auction to generate receipt.
4. Take print out of the same market-wise (Term List) / item-wise (Auction list).

**Note:** For any clarification on the bidding process please contact

Mr. Anjan Buda - 9163348263 - anjan.buda1@mjunction.in

Ms. Debalina Maity - 8336991451 - maity.debalina@mjunction.in

Ms. Bingyasini Pradhan - 9163348173 – pradhan.bingyasini@mjunction.in

Ms. Priyanka Mazumdar - mazumdar.priyanka@mjunction.in

**Mr. Mukesh Kumar Singh- 8873002741 – mukesh.singh@mjunction.in - for Bokaro Office**

**A copy of System generated acknowledgement-slip for Online submission of sealed price bid is to be submitted along with Techno-commercial Bid.**

#### **1.02 Tender Validity Period:**

- i) Validity of the offer shall be at least Six (06) months from the Bid Opening Date. In case of extension of “ Bid Submission / Opening Date”, the validity will be counted from the extended Bid Submission End Date.
- ii) In case prices are finalized through Reverse Auction / Price Negotiation, the validity of the final quoted price shall be two (02) months from the date of discovery of the final L-1 price, either through Reverse Auction or through Price Negotiation, as the case may be or till the validity of the techno-commercial bid, whichever is later.

#### **1.03 General Instructions:**

- i) You shall clearly indicate that your prices shall remain firm in all respects till execution of the order.
- ii) Specification, quantity, unit rate, freight, insurance, packaging, forwarding, taxes etc. should be mentioned separately and clearly.
- iii) Any conditional offer or offer having deviations is liable to be rejected.
- iv) Where agent commission is involved the same is to be indicated in percentage.
- v) You have to submit Tender Document bearing your signature and seal on all the pages along with Techno-commercial offer / Consent on NIT’s Terms & Conditions. Otherwise, it will be presumed that you do not accept our terms and conditions and this may lead to rejection of offer forfeiting your claims if any.

You are advised to mention page no. on each page of documents submitted by you. BPSCL shall not bear any responsibility in case of any loss of documents submitted by you during tender opening or thereafter.

- vi) If you are a Firm or Company, then you shall, in the forwarding letter, mention the number and names of all the partners & shall sign before submitting the same, unless the Power of Attorney holder has specifically been authorized in this respect.
- vii) The tender rates shall be written in English, both in words and figures. In case of any discrepancy between the words & figures of the rates quoted, the rates expressed in words shall be taken as correct. In case of discrepancy in the Unit Rate and Amount, Unit Rate will govern.
- viii) Price or any indication of price shall **NOT** be mentioned in the Techno-Commercial Bid.
- ix) The sealed tenders received will be opened on scheduled opening date and time in the office of Material Management, in presence of such bidders who might choose to witness the same
- x) In case the date of tender opening happens to be holiday, the tender will be opened on the next working day at the same time.
- xi) Communication regarding date of opening of Price-Bid to the techno-commercially eligible bidders will be sent only to their e-mail address given in tender documents.
- xii) Offers from two or more bidders shall summarily be rejected if they have any of the following parameters common:
  - a) Same PAN
  - b) Same GST Number
  - c) Same Postal address
  - d) Same E-mail ID
  - e) Same Mobile number
  - f) Same person signing in more than one offer/representing more than one bidder.



**2.00 GENERAL TERMS AND CONDITIONS**

2.01 BPSCL reserves the right to ask for original documents for verification at any time during tendering, evaluation and / or the execution of the contract. In case any documents / information submitted by you is / are found to be false or containing any misrepresentation or having any fraudulent declaration in it, then, in such eventuality, legal action (including cancellation of contract, banning of business dealing, criminal proceedings etc.) as deemed fit may be initiated by BPSCL against you.

2.02 The shortfall information / documents (if required) shall be sought only in case of historical documents which pre-existed at the time of the tender opening and which have not undergone change since then.

**Explanation:** For example, if the Permanent Account Number, registration with Sales Tax / VAT, GSTN number, etc. has / have been asked to be submitted and the bidder has not provided them, these documents shall be asked for.

2.03 So far as submission of documents is concerned with regard to qualification criteria, after submission of the tender, only related shortfall documents shall be asked for and considered.

**Explanation:** For example, if the bidder has submitted a supply order / contract without its completion / performance certificate, the certificate shall be asked for and considered. However, no new supply order / contract shall be asked for.

2.04 **Packing :**

a) **Responsibility for proper packing** – You shall be responsible for the materials being sufficiently and properly packed, for transport by rail / road / sea / air / any combination of above, so as to ensure their being free from loss or damage on arrival at the destination.

b) **Marking of Packages, Packing, etc.** - Each package delivered under the contract shall bear the following:-

- Name of the Supplier
- Contract/Order Number
- Consignee's name and address
- Description and quantity of contents
- Gross weight, net weight,
- Distinctive number or mark which is also to be shown, for the purpose of identification, on the Supplier's packing list.
- Catalogue Number

2.05 **Delivery:** Timely delivery is the essence of the contract & must be completed as per the dates specified therein.

2.06 **Liquidated Damages:** In the event of supply not being effected within the contractual delivery schedule given in the order, excluding the time taken by BPSCL in approval of the drawings submitted by you (if any), liquidated damages @ ½ % of the value of delayed materials for each week of delay and part thereof, subject to a maximum of 05% of the total order value shall be recovered from you. The deduction of such damages shall not relieve you from the contractual obligations to complete the supply as stipulated in the Contract.

2.07 **Risk Purchase:** If you fail to deliver the material either in full or in part, within the prescribed delivery period, BPSCL shall be entitled at its option to take alternate procurement action, at your risk & cost for the unsupplied portion of the goods / items for which delivery period has expired.

2.08 You must mention applicable GST rate in your offer with compliance of following GST clauses:

- a) You shall have to quote GST as extra. If not mentioned, same will be considered as EXTRA.
- b) You shall have to pass on the tax benefit/savings, if any, on account of output taxes to BPSCL.
- c) You shall agree to do all things not limited to providing GST invoices or other documentation as per GST Law relating to the above Services, payment of taxes, timely filing of valid statutory returns for the tax period on the Goods and Service Tax Portal etc. that may be necessary to match the invoice on GSTN common portal and enable BPSCL to claim input tax credit in relation to any GST payable under this agreement or in respect of any part under this agreement.
- d) In case the Input Tax Credit of GST is denied or demand is recovered from BPSCL on account of any non-compliance by you, including non-payment of GST charged and recovered, you shall indemnify BPSCL in respect of all claims of tax, penalty and/or interest, loss, damage, costs, expenses and liability that may arise due to such non-compliance. Further, in case of any differential tax liability on account of any wrong

classification/valuation etc. by you, BPSCL will not be liable to reimburse any part of such differential tax, interest, penalty etc. It will be your sole responsibility to discharge appropriate taxes, as applicable.

e) You shall have to maintain high GST compliance rating track record at any given point of time.

- 2.09 **Bank Details:** Bank details mentioning Account number, Bank name, City, Branch name and Branch code should be mentioned in the offer for NEFT / RTGS payment.
- 2.10 **Paying authority – In-charge (F&A), BPSCL.** Bill in triplicate duly receipted on the revenue stamp with cancelled cheque / Bank Mandate and a copy of TC & Packing list etc. are to be submitted to In-Charge (F&A), Bokaro Power Supply Company (P) Limited for processing of the same.
- 2.11 **Inspection:** Acceptance of material is subject to inspection. Final Inspection will be done at BPSCL Stores after receipt of material. If any material supplied is rejected in inspection, BPSCL will inform about the same to the supplier. After such intimation of rejection by BPSCL, the Supplier shall be liable to remove / lift back such rejected / damaged materials within 30 days without any extra charge / cost to BPSCL, failing which, BPSCL shall reserve the right to dispose off the material, as it may deem fit, without any financial repercussions and BPSCL shall stand absolved of all responsibilities towards the material.
- 2.12 **FORCE MAJEURE:** You shall not be considered in default if delay occurs due to reason beyond your control such as acts of God, natural calamities, civil wars, fire, strike, frost, floods, riot and acts of unsurpassed power. Only those causes which have duration of more than seven days shall be considered in force majeure clause. In the event of delay due to such clause the delivery period will be extended for a length of time equal to the period of force majeure at the option of BPSCL. Order may be cancelled without any liability what so ever on the part of BPSCL.
- 2.13 **Banning of Business Dealings:** On arising of any situation or occurrence of any event as mentioned in Clause 6 of the Guidelines on Banning of Business Dealings, you shall be liable for action under and in accordance with the aforementioned Guidelines. The “Guidelines on Banning of Business Dealings” shall form part of the Tender/Contract and can be viewed on our website [www.bpscl.com](http://www.bpscl.com).
- 2.14 **Security Deposit:** In case Purchase order is placed upon you, you shall have to deposit Security Deposit at the rates mentioned below for satisfactory execution of the order:

Sl. No.	Purchase order value (Excluding GST)	Amount of Security Deposit
i.	Up to Rs. 20 Lakh	10% of Purchase order value.
ii.	Over Rs. 20 Lakh up to 100 Lakhs	05% of Purchase order value subject to a minimum of Rs.2,50,000.00.
iii.	Over Rs. 100 Lakh up to 500 Lakhs	02% of Purchase order value subject to a minimum of Rs.7,50,000.00

The Security Deposit shall be in the form of **Bank draft / Bankers Cheque / Bank Guarantee** (as per BPSCL format available at [bpscl.com](http://bpscl.com)) having validity up to guarantee period of the item to be supplied plus three (03) months of claim period. **Bank Draft / Bankers Cheque** shall be in favor of Bokaro Power Supply Company (P) Ltd. payable at Bokaro Steel City.

The expression “satisfactory execution of the order,” shall mean fulfillment of all obligations arising out of and in connection with the purchase order. In case of default in satisfactory execution of the order the security deposit shall be forfeited. Amount of penalty and/or Liquidated Damages imposed (if any) will be recovered from Bill / Security Deposit. If the amount of Bill / Security Deposit is not sufficient, you shall be required to pay the balance amount to BPSCL. If you do not pay the balance amount, the same shall be deducted from any sum or sums which may be due or may become due to you from BPSCL on any account whatsoever.

*In case of forfeiture of Security Deposit, you shall be required to reimburse the applicable GST to BPSCL.*

**3.0 TECHNO-COMMERCIAL TERMS & CONDITION:****3.1 Description of Material:**

<b>Sl. No.</b>	<b>ITEM DESCRIPTION</b>	<b>QUANTITY</b>
1.	Cat. No. 72000023000 6.6KV, 770 KW, Ball Mill Motor  Frame : DC500U1000, RPM : 991, 6 Pole, 50 Hz, Mounting : Horizontal Foot Mounted (B3), Duty : MCR (S1), Class of Insulation : F (VPI) Detail Specification attach in Annexure - IA	1 No.
2.	Cat. No.72000042500 6.6KV, 420 KW, FD Fan Motor  Frame : D450-3A, RPM : 1489, 4 Pole, 50 Hz, Mounting : Horizontal Foot Mounted (B3), Duty : MCR (S1), Class of Insulation : F (VPI) Detail Specification attach in Annexure - IB	1 No.
3.	Cat. No.72000022800 6.6KV, 780 KW, ID Fan Motor  Frame : DC450U900, RPM : 990, 6 Pole, 50 Hz, Mounting : Horizontal Foot Mounted (B3) Duty : MCR (S1) Class of Insulation : F (VPI) Detail Specification attach in Annexure - IC	1 No.
4.	Cat. No.72000023100 6.6KV, 480 KW, PA Fan Motor  Frame : D450-3B, RPM : 1490, 4 Pole, 50 Hz, Mounting : Horizontal Foot Mounted (B3) Duty : MCR (S1) Class of Insulation : F (VPI) Detail Specification attach in Annexure – ID	1 No.
5.	Cat. No. 72000023500 6.6KV, 1200 KW, Boiler Feed Water Pump Motor  Frame : AMA 450L2A BAI RPM : 2980, 2 Pole, 50 Hz, Mounting : Horizontal Foot Mounted (B3) Duty : MCR (S1) Class of Insulation : F (VPI) Detail Specification attach in Annexure – IE	1 No.

**3.2 Special Terms and Conditions:**

1. The foundation frames size & other parameters of new 6.6kV motors must exactly match with existing motors.
2. The bidder is allowed to visit the site for knowing the technicalities & actual operating condition of the motors.
3. The technical specification of the existing motors are attached but the successful bidder has to develop the technical details & GA drawing and get them approved by BPSCL before manufacturing of motors
4. Before manufacturing the motors, the successful bidder will have to submit authenticated copies of following documents & get them approved:
  - i. Motor Data Sheet;
  - ii. Torque Vs speed Curve;

- iii. Thermal withstand Curve;
- iv. Current Vs Time Curve;
- v. GA drawing & other dimensional drawings;
- vi. Assembly drawing of PSTBs (Both Side) for 770 KW, 420KW, 780KW & 480KW Motors.
- vii. Assembly drawing of PSTB & NTB with CT for 1200 KW Motor
- viii. Sectional assembly for RTD/BTD arrangement drawing;
- ix. Heater TB assembly & connection diagram, etc.

**3.3** The Commercial Bid should confirm / indicate the following:

1.	Price	Firm price for the duration of the Contract.
2.	Delivery Term	FOR BPSCL Stores, B. S. City.
3.	Packing & Forwarding Charges	Inclusive
4.	Freight Charges	Inclusive
5.	Transit Insurance	To be arranged and borne by Supplier
6.	GST Registration	To indicate GST Registration Number
7.	GST	Extra- <i>Applicable rate to be mentioned</i> HSN/ SAC- <i>to be mentioned</i>
8.	Payment Term	i. 90% against GRN. ii. Balance 10% will be released after successful trial run of the motors at site within three (03) months from the GRN date. If trial run of the motors are not done within three (03) months, due to reasons attributable to BPSCL, then balance payment will be released after three (03) months from date of GRN.
9.	Delivery Period	i. The supplier has to submit GA drawings, Technical Data Sheets, etc. for approval, within one (01) month from the date of issue of purchase order. ii. The supplier has to deliver the motor within twelve (12) months from date of issuance of purchase order excluding the time taken by BPSCL in approval of drawings & data sheets.
10.	Guarantee Clause	A guarantee for motors & their spares for a period of twelve (12) months (or more) from the date of commissioning / use or eighteen (18) months (or more) from date of supply, whichever is earlier shall have to be provided by the supplier. In case of any manufacturing defects are discovered within the guarantee period of normal operation, the same are to be rectified or replaced by the bidder at no extra cost. If any material supplied fails within the Guarantee Period, BPSCL will inform about the same to the Supplier. After such intimation, the Supplier shall be liable to remove / lift back such materials for repair / replacement.
11.	Security Deposit	To confirm as per relevant Clause of NIT.
12.	Inspection	To confirm as per relevant Clause of NIT.
13.	LD Clause	To confirm as per relevant Clause of NIT.
14.	Risk Purchase Clause	To confirm as per relevant Clause of NIT.
15.	Validity Period	To confirm as per relevant Clause of NIT.

**4.0 PRICE BID / RA FORMAT:****Special Instruction –**

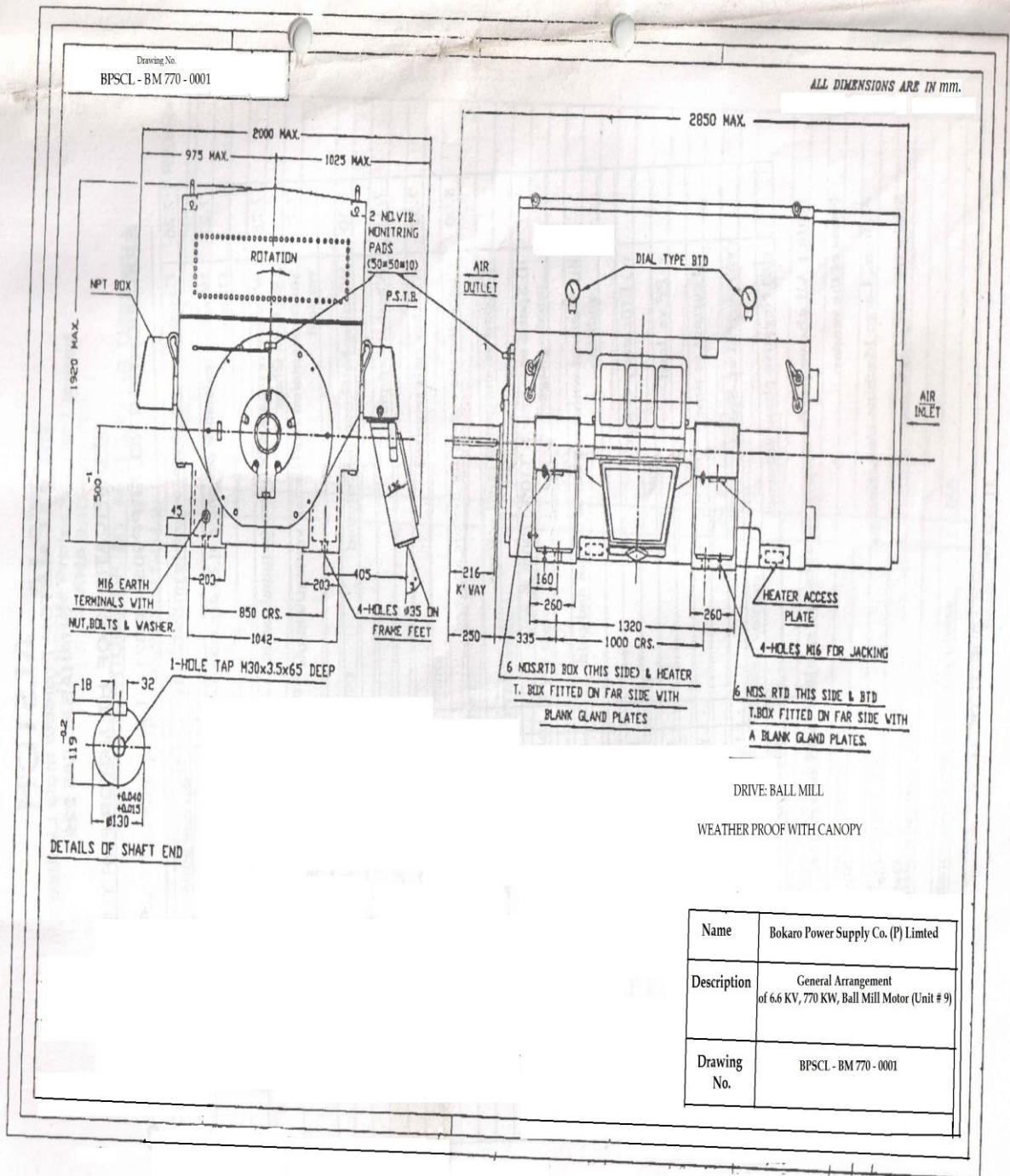
1. *In the event of the L1 Bidder backing out prior to placement of order, EMD will be forfeited and L1 bidder shall be suspended for a period of one (01) year from the date of issue of suspension order*
2. *Breakup of quoted LC (**Landed Cost**) shall be submitted by the L1 bidder. In case of refusal of L1 bidder to submit price break up, EMD will be forfeited and L1 bidder shall be suspended for a period of one (01) year from the date of issue of suspension order.*
3. **Price Basis – Rs. per number on LC basis excluding GST [For each item individually).**

<b>Price Break Up</b>		
<b>Sl. No.</b>	<b>Price Component</b>	<b>Rate per number (Rs.)</b>
1.	Basic Price	
2.	Packing & Forwarding	
3.	Freight	
4.	Transit Insurance	
5.	Any other tax or charges	
<b>LANDED COST (1+2+3+4+5)</b>		

**Note: GST Extra**

**Technical Specification of existing 6.6KV, 770 KW, Ball Mill Motor**

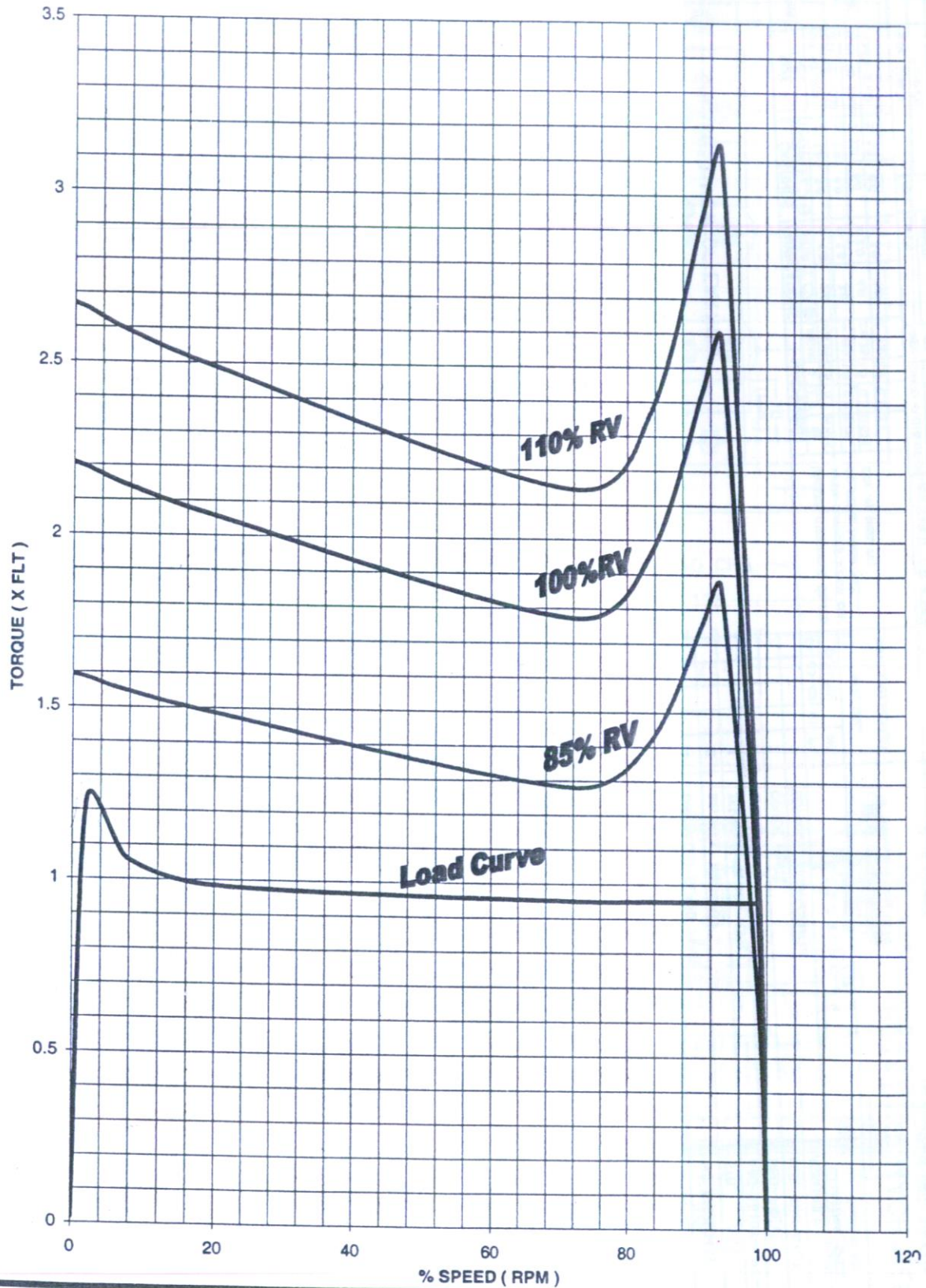
Equipment Description	Ball Mill Motor
Type of mounting	Horizontal Foot Mounted
Type of motor	Squirrel cage induction motor
Rated continuous output (KW) at 50 <sup>0</sup> C ambient	770 KW
Direction of rotation	Bidirectional
Make	Alstom
Frame size	DC500U1000
Duty cycle/ Designation	S1 (MCR)
Rated speed in RPM(Pole)	991 (6P)
Rated voltage & % variation in Volts.	6600 ± 10%
Rated frequency & % vibration in Hz	50 Hz ± 5%
Full load current in amps.	87
Rated P.F. at full load	0.82
Method of starting	DOL
Starting current at rated voltage in % of FLC	600% (subject to IS tolerance)
Rated full load torque	760 KGM
Degree of protection of enclosure	IP 55 with weather protection
Method of cooling	CACA (IC611)
Insulation class	F (Mica based resin poor VPI)
Mica with epoxy treatment for insulation	Mica based insulation with VPI (Epoxy Resin) treatment
Min. Permissible Rated Voltage	85% rated voltage
Winding connection	Star
BDE / NDE Bearing	Antifriction
<b>Main terminal box</b>	
Type	Phase segregated (both side)
Method of coupling with driven equipment	Direct/ Flexible coupling
Shaft orientation	Horizontal



Name	Bokaro Power Supply Co. (P) Limited
Description	General Arrangement of 6.6 KV, 770 KW, Ball Mill Motor (Unit # 9)
Drawing No.	BPSCL - BM 770 - 0001



**TORQUE Vs. SPEED CHARACTERISTIC CURVE**  
**770 KW, 6 POLE, 6600 V, DC500U1000 MOTOR**



T-S Chart

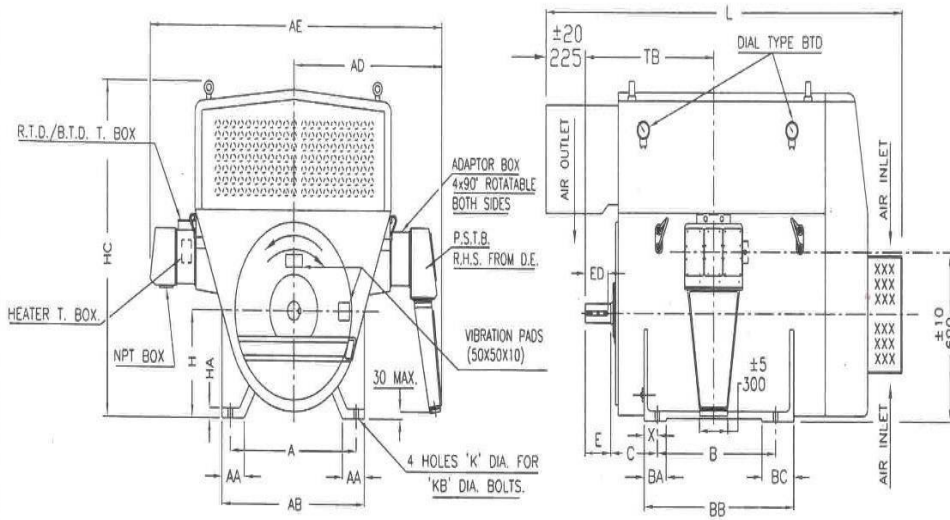


**Technical Specification of existing 6.6KV, 420 KW FD Fan Motor**

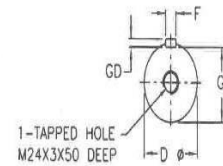
Equipment Description	FD Fan
Type of mounting	Horizontal Foot Mounted
Type of motor	SCIM
Rated continuous output (KW) at 50 <sup>0</sup> C ambient	420 KW
GD <sup>2</sup> value of motor in Kg-m <sup>2</sup>	85 Kg-m <sup>2</sup>
GD <sup>2</sup> value of load	980 Kg-m <sup>2</sup>
Direction of rotation	Bidirectional
Make	Alstom
Frame size	D450-3A
Duty cycle/ Designation	CMR(S1)
Rated speed in RPM	1489
Pole	4
Rated voltage & % variation in Volts.	6600 ± 10%
Rated frequency & % vibration in Hz	50 Hz ± 5%
Full load current in amps.	44.5
Rated P.F. at % of load	
At full load	0.88
Method of starting	DOL
Starting current at rated voltage in % of FLC	500% (Subject to IS tolerance)
Rated full load torque	275.7 Kg-m
Degree of protection of enclosure	IP 55 with weather protection
Method of cooling	CACA (IC611)
Insulation class	F (VPI)
Mica with epoxy treatment for insulation	Mica based insulation with VPI (Epoxy Resin) treatment
Winding connection	Star
Bearing	Antifriction
<b>Main terminal box</b>	
Type PSTB	Phase segregated (Both side)
Method of coupling with driven equipment	Direct/Flexible
Shaft orientation	Horizontal

DRAWING NO.  
BPSCL - FD FAN420 - 0001

ALL DIMENSIONS ARE IN mm.



A	B	C	K	KB	BB ±2	BA	BC	AB ±2	AA	HA	H tol. -1	HC MAX.	AD MAX.	AE MAX.	D φ NOM. TOL.	F	GD	G tol. -2	E	ED	L MAX.	X	TB MAX.
750	900	315	35	30	1041	165	265	864	140	46	450	1575	1175	2350	110 +0.035 +0.013	28	16	100	210	205	2725	70	1000



DETAILS OF SHAFT DRIVE END

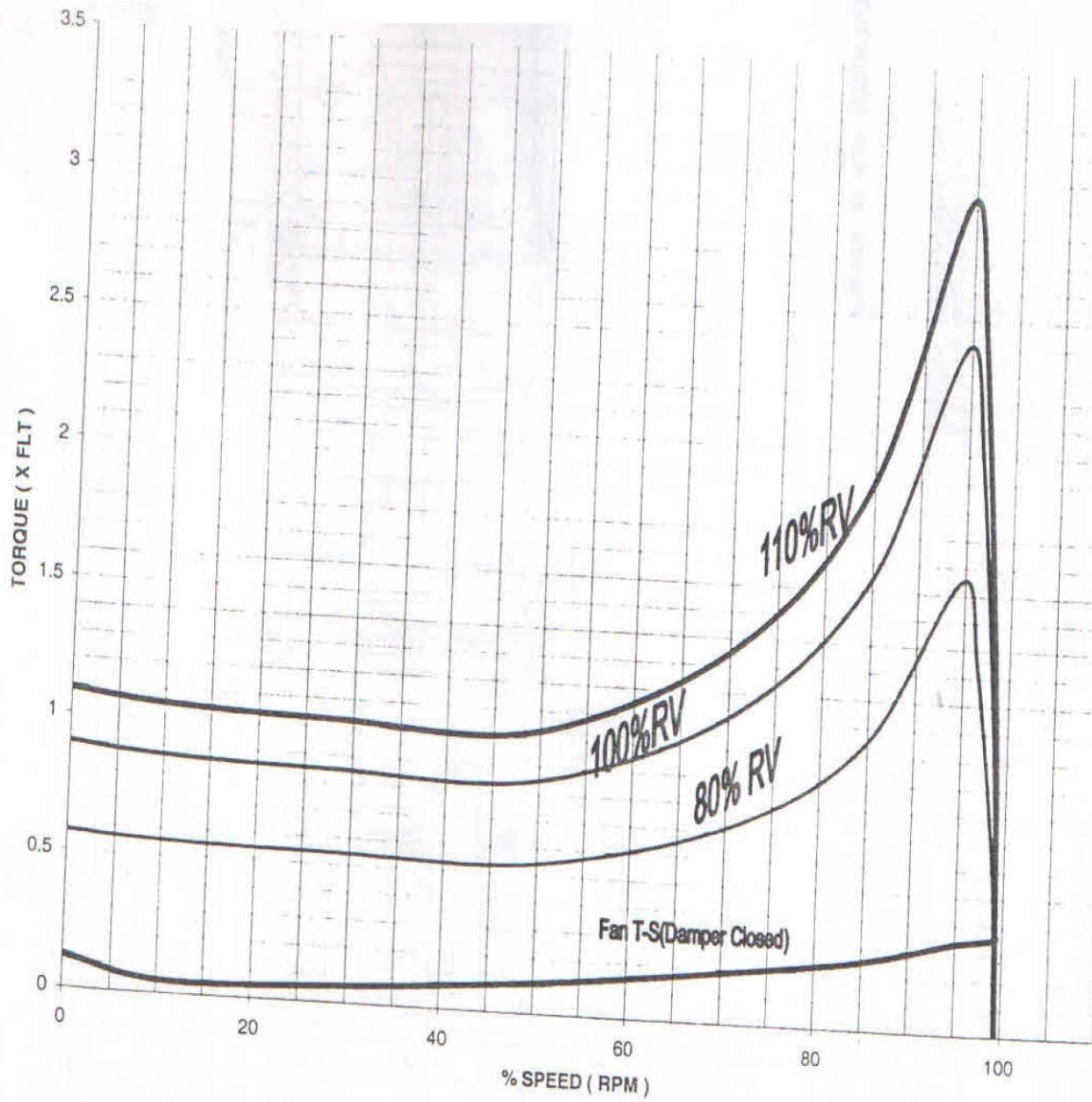
**BOKARO POWER SUPPLY CO. (P) LTD.**

**GA DRAWING OF 6.6KV, 420 KW,  
FD FAN MOTOR**

**DRAWING NO.**

**BPSCL - FD FAN420 - 0001**

TORQUE Vs. SPEED CHARACTERISTIC CURVE  
420KW, 4 POLE, 6.6KV, FD FAN MOTOR



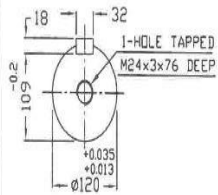
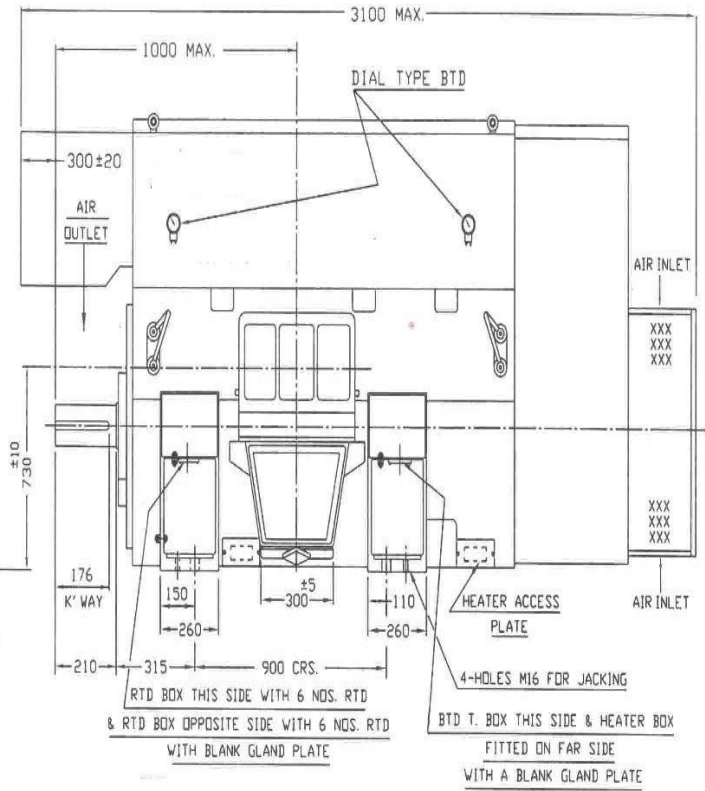
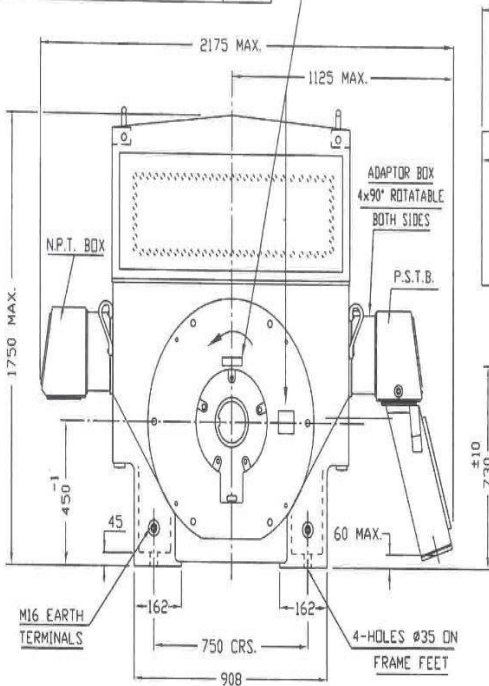
**Technical Specification of existing 6.6KV, 780 KW, ID Fan Motor**

Equipment Description	ID Fan
Type of mounting	Horizontal Foot Mounted
Type of motor	SCIM
Rated continuous output (KW) at 50 <sup>0</sup> C ambient	780 KW
GD <sup>2</sup> value of motor in Kg-m <sup>2</sup>	124 Kg-m <sup>2</sup>
GD <sup>2</sup> value of load	8000 Kg - m <sup>2</sup>
Direction of rotation	Bidirectional
Make	Alstom
Frame size	DC450U900
Duty cycle/ Designation	CMR(S1)
Rated speed in RPM	990
Pole	6
Rated voltage & % variation in Volts.	6600 ± 10%
Rated frequency & % vibration in Hz	50 Hz ± 5%
Full load current in amps.	85.5
Rated P.F. at full load	0.84
Method of starting	DOL
Starting current at rated voltage in % of FLC	550% (Subject to IS tolerance)
Rated full load torque	770.2 Kg-m
Degree of protection of enclosure	IP 55 with weather protection
Method of cooling	CACA (IC611)
Insulation class	Class F (VPI)
Mica with epoxy treatment for insulation	Mica based insulation with VPI (Epoxy Resin) treatment
Resin poor VPI technology	Yes
Winding connection	Star
Bearing	Antifriction
<b>Main terminal box</b>	
Type	Phase segregated (both side)
Method of coupling with driven equipment	Fluid coupling
Shaft orientation	Horizontal

DRAWING NO.  
BPSCL-IDFAN 780 - 0001

VIBRATION PADS(50X50X10)

ALL DIMENSIONS ARE IN mm.



DETAILS OF SHAFT DRIVE END

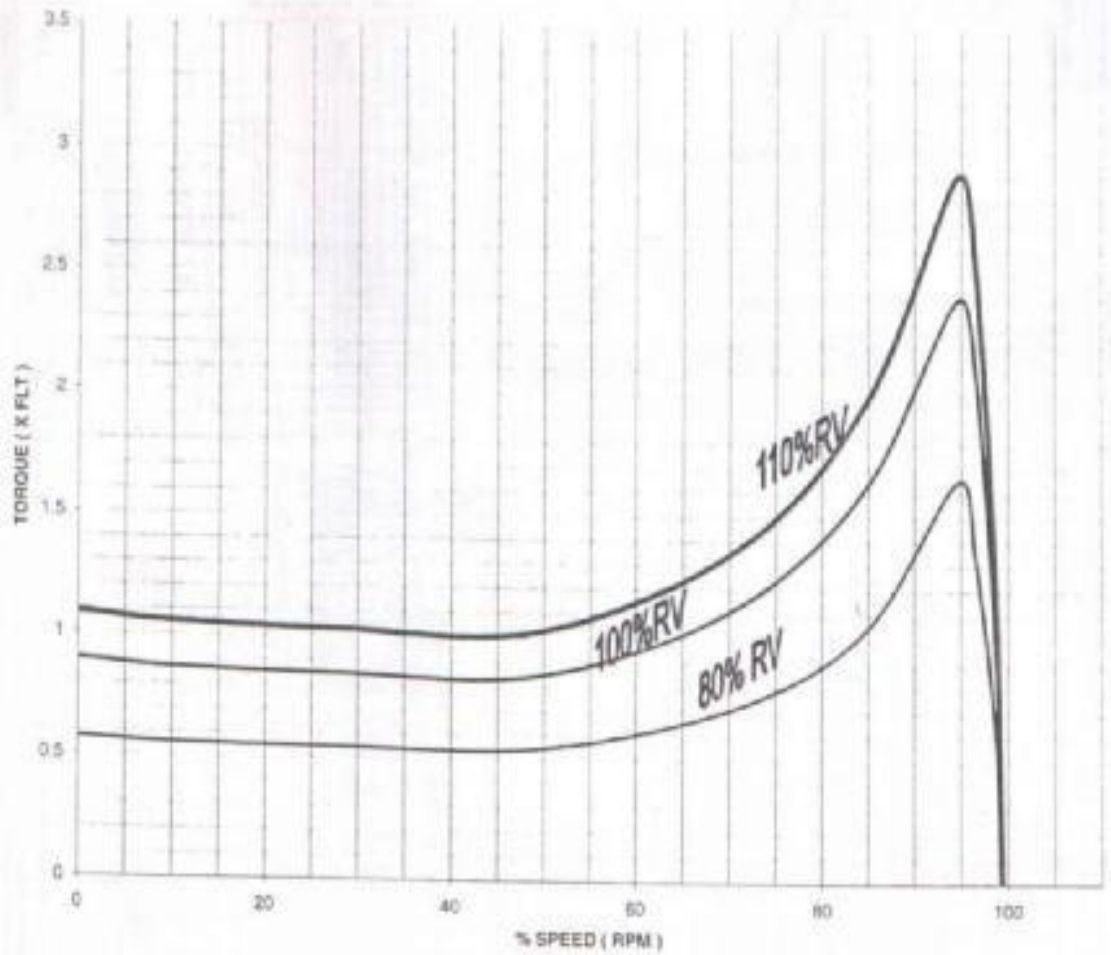
BOKARO POWER SUPPLY CO. (P) LTD.

GA DRAWING OF 6.6KV, 780 KW,  
ID FAN MOTOR

DRAWING NO.

BPSCL - ID FAN 780 - 0001

TORQUE Vs. SPEED CHARACTERISTIC CURVE  
780KW, 6 POLE, 6.6KV, ID FAN MOTOR



T-S

Page 1

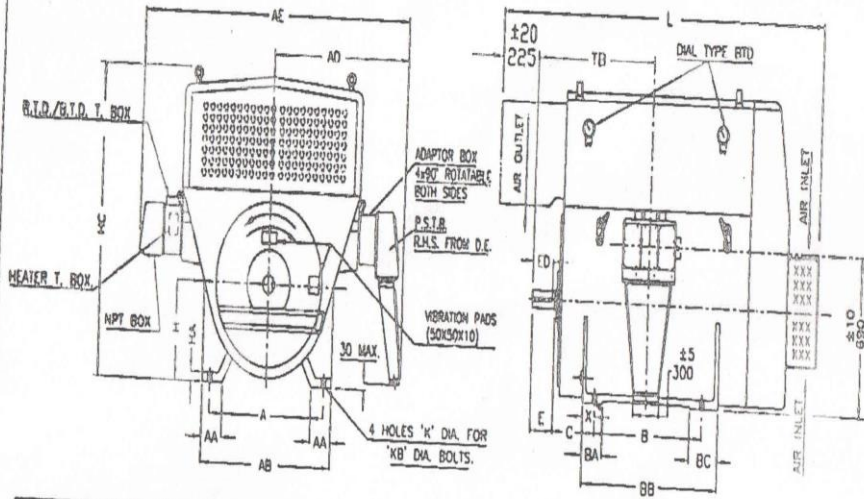
**Technical Specification of existing 6.6KV, 480 KW PA Fan Motor**

Equipment Description	PA Fan Motor
Type of mounting	Horizontal Foot Mounted
Type of motor	Squirrel cage induction motor
Rated continuous output (KW) at 50 <sup>0</sup> C ambient	480 KW
Direction of rotation	Bidirectional
Frame size	Equivalent to frame size - D450-3B
Duty cycle/ Designation	S1
Rated speed in RPM (Pole)	1490 (4P)
Rated voltage & % variation in Volts.	6600 ± 10%
Rated frequency & % vibration in Hz	50 Hz ± 5%
Full load current in amps.	50.5
Rated P.F. at % of load (at full load )	0.88
Method of starting	DOL
Starting current at rated voltage in % of FLC	600% (Subject to IS tolerance)
Rated full load torque	314.9 Kg-m
Degree of protection of enclosure	IP 55 with weather protection
Method of cooling	CACA (IC611)
Insulation class	F (VPI)
Mica with epoxy treatment for insulation	Mica based insulation with VPI (Epoxy Resin) treatment
Winding connection	Star
DE / NDE Bearing	Antifriction
<b>Main terminal box</b>	
Type PSTB	Phase segregated (Both side)
Method of coupling with driven equipment	Direct/Flexible
Shaft orientation	Horizontal

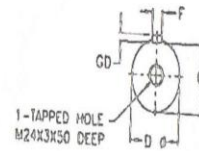


Drawing No.  
BPSCL - PAF 480 - 0001

ALL DIMENSIONS ARE IN mm.



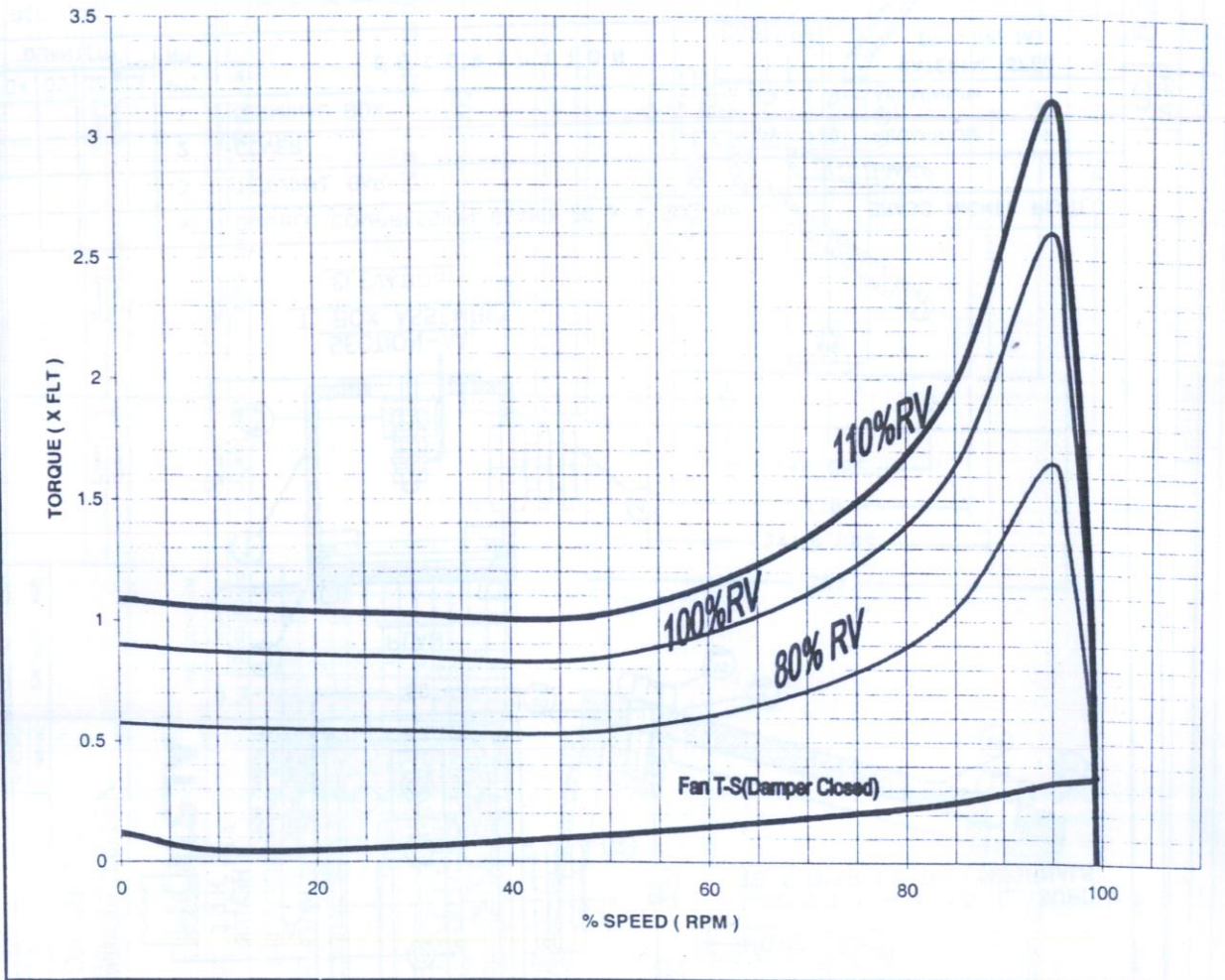
A	B	C	K	KB	BB ±2	BA	BC	AB ±2	AA	HA	H ±.1	HC MAX.	AD MAX.	AE MAX.	D Ø NOM TOL.	F	GD	G ±.1	E	ED	L MAX.	X	TB MAX.
750	900	315	35	30	104	165	265	864	140	46	450	1575	1175	2350	110 +0.025 +0.013	28	16	100	210	205	2725	70	1000



Name	Bokaro Power Supply CO. (P) Ltd.
Item Description	General Arrangement of 6.6KV, 480KW, PA Fan Motor (Unit# 9)
Drawing No.	BPSCL - PAF 480 - 0001



TORQUE Vs. SPEED CHARACTERISTIC CURVE  
480 KW, 4POLE, 6600 V, D450-3B MOTOR



T-S

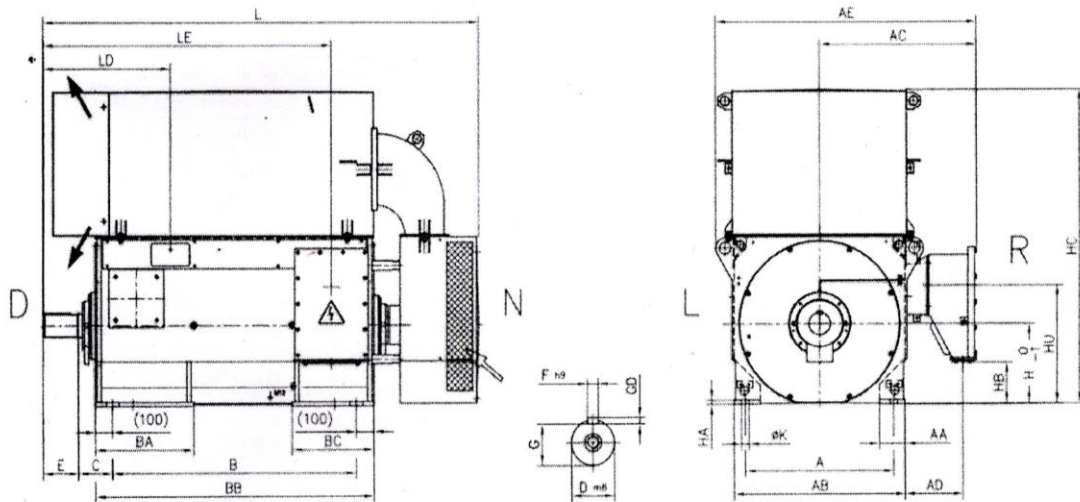
**Technical Specification of existing 6.6 KV, 2980 RPM, 3 Phase, 1200 KW, BFP Motor with three numbers of differential CT at neutral terminal box.**

Sl. No.	Equipment Description	Specifications
1.	Application	Boiler Feed Pump Motor
2.	Type of mounting	B3
3.	Type of motor	3 phase squirrel cage induction motor
4.	Rated continuous output (KW) at 50 <sup>0</sup> C ambient	1200 KW
5.	Pole	2
6.	Duty cycle	S1
7.	Power Factor	0.87
8.	Efficiency	95%
9.	Rated voltage & % variation in Volts.	6600 ± 10%
10.	Rated frequency & % variation in Hz	50 Hz ± 5%
11.	Method of cooling	IC 611
12.	Applicable Standard	IEC34/ IS :325
13.	Degree of Protection	IP 55
14.	Coupling	Hydro coupling
15.	Frame size	AMA 450L2A BAI
16.	Rated speed in RPM	2980
17.	Method of starting	DOL
18.	Temperature rise over 50 <sup>0</sup> ambient (by resistance method)	Class B (resistance method)
19.	Full load current	126Amp.
20.	No Load Current	30 Amp.
21.	Insulation class	Class F (VPI)
22.	Insulation type	Mica based resin poor VPI insulation
23.	Winding connection	Star
24.	Direction of rotation	Unidirectional (counter clockwise)
25.	Bearing	antifriction
26.	Starting Time for	80% of voltage-3.7sec ,100% of voltage-1.9sec, 110% of voltage-1.6sec
27.	Starting current in % of FLC	550%
28.	Break away starting torque (Kg-m) at	80% of voltage-138.5Kgm ,100% of voltage-215.72Kgm, 110% of voltage-261Kgm
29.	Pull out Torque of FLT	230% (% FLT)
30.	Pull up Torque of FLT	55%(% FLT)
31.	Motor terminal Box	Phase segregated terminal box located at RHS when viewed from DE side.
32.	Neutral terminal Box	Air insulated located at LHS when viewed form DE side.
33.	GD <sup>2</sup> value of motor	52.4 Kgm <sup>2</sup>
34.	Fault with stand current and time	43.7KA for 0.25sec
35.	Rated full load torque	3845 Nm
36.	Make	ABB

**Specification of Current Transformers located at Neutral Terminal Box for differential protection**

Description			
Current Transformer (CT)			
CT Ratio: 175 / 1-1-1A			
Insulation Class: B			
Frequency: 50 Hz			
HSV/1L: 12/28/75 Kv			
Ith: 40kA / 1 Sec.			
Type: Wound			
Model: RCT 11B 03			
Location: Neutral terminal box			
	Core 1	Core 2	Core 3
VA Class	-/CL.PS	10 VA / CL.5P20	15 VA / CL.1
ISF	-	-	≤ 5
Vk	≥ 250 V	-	-
R. Sec.	≤ 5 Ω	-	-
I exe	≤ 25mA @ VK/2	-	-

# GA Drawing of 6.6 kV, 1200 KW, Boiler Feed Pump Motor




Dimensions in mm

A	B	C	D	E	F	G	H	K	L	AA	AB	AC	AD
850	1400	200	90	170	25	81	450	42	2480	150	980	905	335

AE	BA	BB	BC	GD	HA	HB	HC	LD	LE	HU	D-end bearing	N-end bearing
1500	575	1600	465	14	25	230	1760	710	1630	665	6319M/C3	6319M/C3

31/12/22

 <b>Bokaro Power Supply Company (P) Limited</b>	
Item	GA Drawing of 6.6 kV, 1200 KW, Boiler Feed Pump Motor
Drg. No.	BPSCL- U#9 - BFPM - 0001

**Self Declaration**

I.....son/daughter of Shri ..... Aged..... years  
resident of .....PS.....District.....State.....do hereby declare  
that:

1. I am the authorized representative and signatory of M/s.....  
(name of the firm/company).
  
2. All document(s) submitted/ information provided by M/s..... alongwith the  
Bid Document submitted against Tender No.....  
.....dated .....
  
- for.....  
.....(Name of work)  
has/have been submitted under my knowledge and are authentic , genuine and true. No part of the document(s) /  
information is false, forged or fabricated.
  
3. The above declaration in respect of genuineness of the documents/ information has been made having full  
knowledge of provisions of bidding conditions which entitle the Owner/BPSCL to initiate action in the event of  
such declaration turning out to be a false.
  
4. I undertake to produce all documents in original for verification as and when asked for the same by BPSCL.

(Name & Signature of Authorized person):.....  
Designation:.....

(To be submitted on Supplier's Letter Head)

**Format for Acceptance of General Terms & Conditions, Commercial Terms and all other Terms of the Reverse Auction**

We \_\_\_\_\_ (Supplier Name)

with PAN \_\_\_\_\_ having registered office at \_\_\_\_\_

\_\_\_\_\_ (Address)

agree to all the Commercial, General & other Terms & Conditions listed in the

NIT No. \_\_\_\_\_

dated \_\_\_\_\_

for procurement of \_\_\_\_\_ (item) through Reverse Auction.

We confirm that we are in a position to supply material as per the specification given in NIT. We agree to participate in the Reverse Auction and abide by the rules.

We nominate an executive, whose details are given below, to put the bids on our behalf.

The details of the person authorized to bid on our behalf is as follows.

Name & Designation :

E-mail ID :

Contact phone nos. :

Address :

(Signature & Seal)

Place :

Date :

**Format for submitting last quoted prices**

*(To be submitted on Company Letter Head of the Bidder)*

**(To be sent within 30 mins of conclusion of the Reverse Auction)**

To,  
mjunction services limited  
1<sup>st</sup> Floor, Tata Centre  
43, Jawaharlal Nehru Road  
Kolkata – 700 071

**Fax: 033 – 2288 3279**

**Ref: Reverse Auction for .....for Bokaro Power Supply Co. (P) Ltd. held on .....**

Reference above, we hereby confirm our Market wise last quoted prices in the Reverse Auction held on ..... for .....for Bokaro Power Supply Co. (P) Ltd., Bokaro Steel City.

<b>Market No.</b>	<b>Last Quoted Price</b>

We also confirm that we will submit item wise price break-up, within two working days from the date of Reverse Auction.

Signature :

Name :

Designation :

Date :