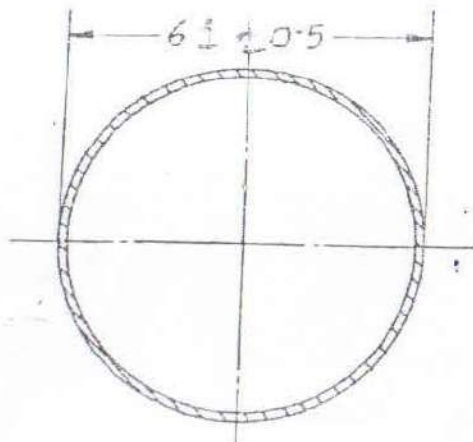


SEC-AA



SEC-BB

* The straight portion to be of standardized size of seam less

Note :-

F :- FLARED UP

S :- STRAIGHT

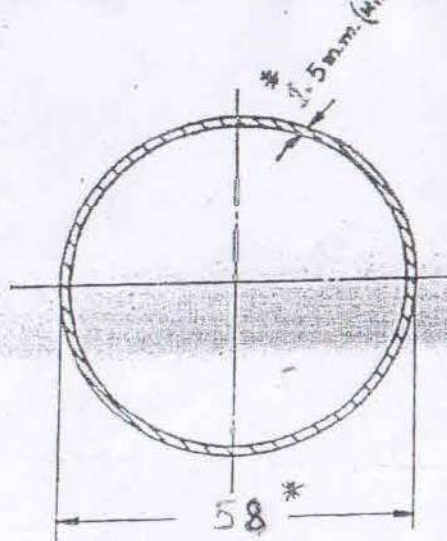
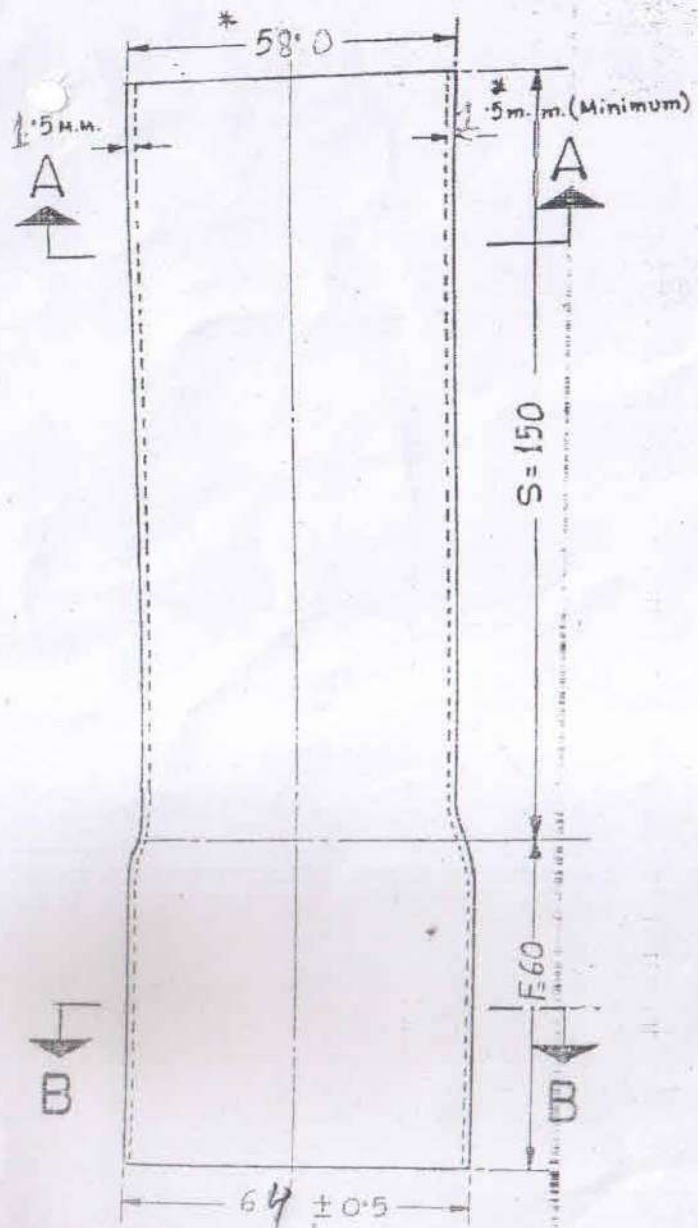
Mat :- S.S. - 304

BPSCL, B.S. City,
 Title :-
 Protection Sleeve for
 Air-fire Heater Tubes of
 Boiler 9 (Tube ID - 55)
 Sketch No - APH Sleeve/BLR-09/01

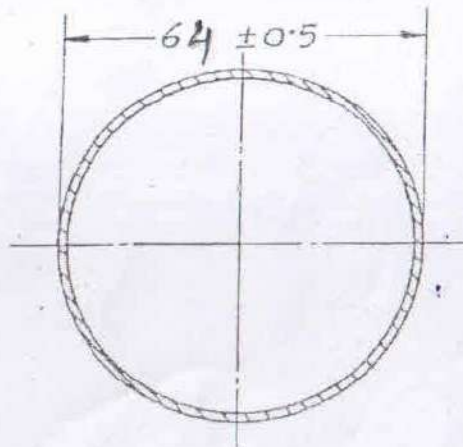
(ALL DIMENSIONS ARE IN M.M.)

12-08-21

Sh



SEC-AA



SEC-BB

* The straight portion to be of standardized size of seam less

Note :-

F :- FLARED UP

S :- STRAIGHT

Mat :- SS - 304

BPSCL, B.S. City

Title :-

Protection Sleeve for
Air - Pre Heater Tubes of
Boiler 9 (Tube ID - 58mm)

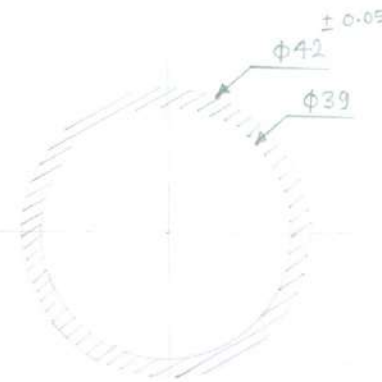
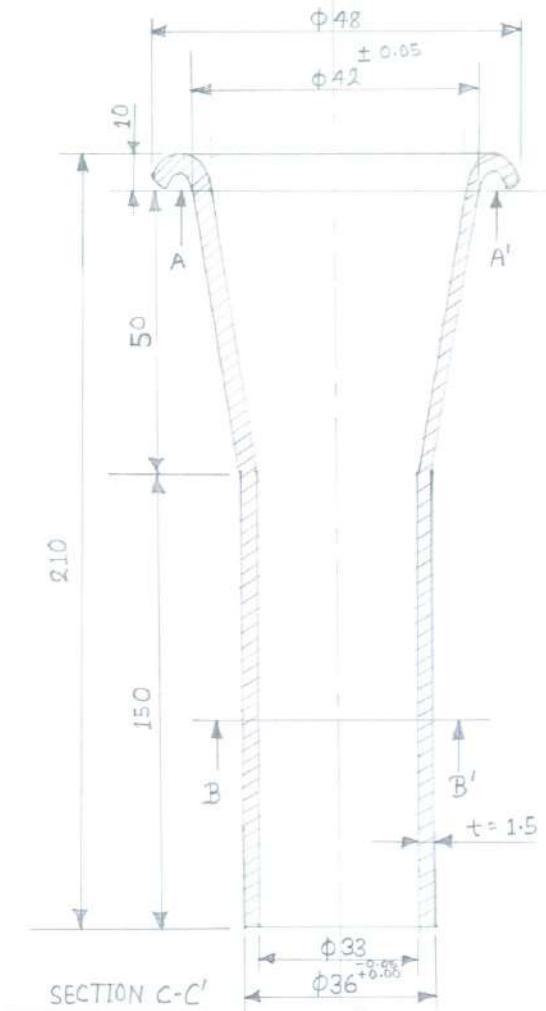
Sketch No - APH SLEEVE/BLR-09/02

(ALL DIMENSIONS ARE IN M.M.)

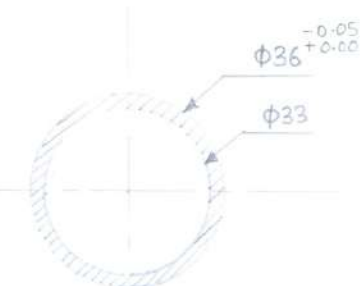
12.08.24

Sh

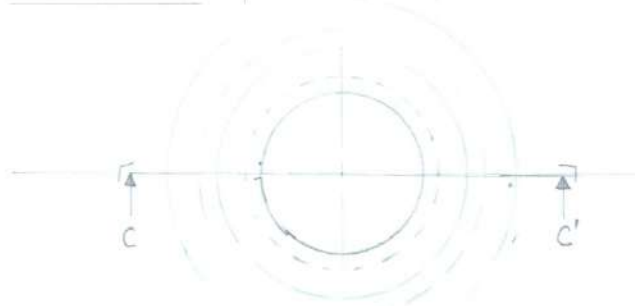
Sh



SECTION A-A'



SECTION B-B'



SECTION C-C'

NOTE :-

- (i) MATERIAL : SS-304
- (ii) STRAIGHT AND FLARED UP PORTION OF FERRULE IS SEAMLESS THROUGHOUT.
- (iii) TOLERANCE FOR STRAIGHT PORTION $\phi 36^{-0.05}_{+0.00}$ OF FLARED UP PORTION $\phi 42 \pm 0.05$
- (iv) ALL DIMENSIONS ARE IN MM.

SCALE	DRAWN	NAME	SIGN	DATE	बोपासकलि BPSCCL
NIS	CHECKED	NKVishw	[Signature]	05.10.21	
	APPROVED	[Signature]			
		TITLE	PROTECTION SLEEVE/ FERRULE FOR APH TUBES BLR/TPP	DRG. No.	REV 00
				APH Sleeve/TPPBLR01	