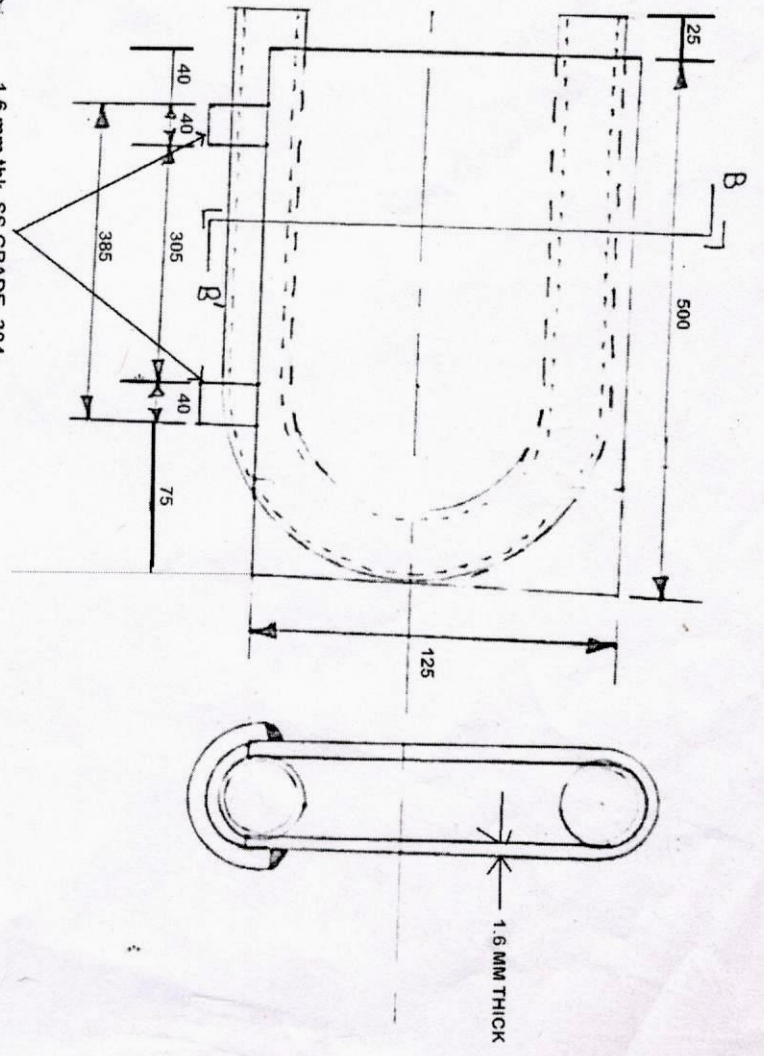
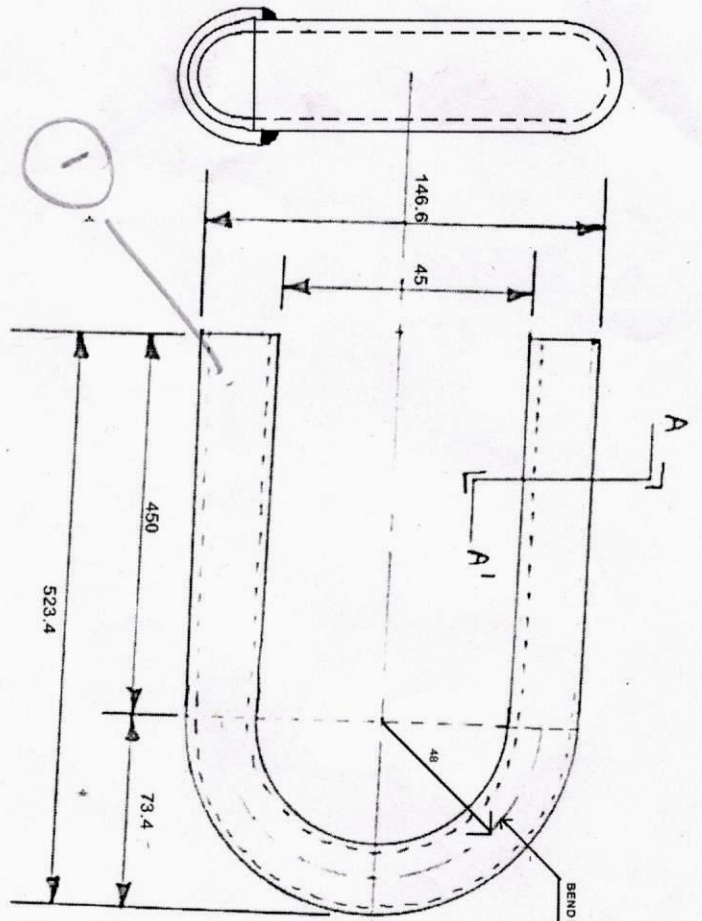
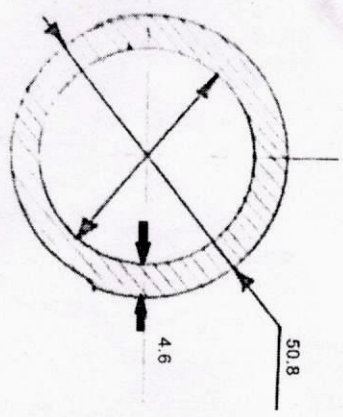


Vikash Kumar

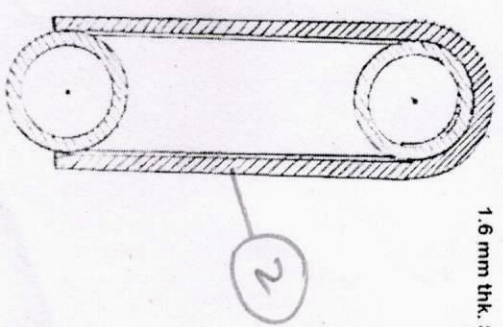
24.2.23



SECTION A-A'



SECTION B-B'



| BILL OF MATERIALS |                                   |               |
|-------------------|-----------------------------------|---------------|
| S.NO              | ITEM                              | MATERIAL      |
| 01                | TUBE (OD 50.8X TH 4.6)            | SA 210 Gr. A1 |
| 02                | PROTECTION SLEEVE<br>1.6 MM THICK | SS GRADE 304  |

|                             |                      |
|-----------------------------|----------------------|
| BOKARO POWER SUPPLY CO. LTD |                      |
| TITLE                       | SS PROTECTION SHIELD |
| DRAWING NO                  | 090.001.04/B-001     |